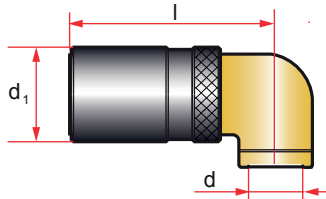


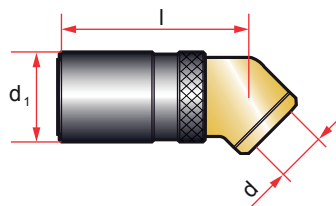
BR601



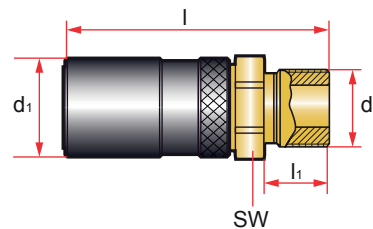
Quick-release coupling
 Enchufe rápido
 Szybkozłącze bez zaworu
 Acoplador rapido
 Coupleur rapide



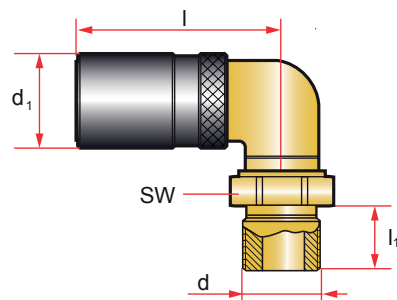
d	d1	l	with valve/con valvula	without valve/sin valvula
			REF.	REF.
G 1/4"	19	24	BR601.06 DGB 13-90°	BR601.06 DG 13-90°
G 3/8"	25	24	BR601.09 DGB 17-90°	BR601.09 DG 17-90°
G 1/2"	31	28	BR601.12 DGB 21-90°	BR601.12 DG 21-90°



d	d1	l1	with valve / con valvula	without valve / sin valvula
			REF.	REF.
G 1/4"	19	59	BR601.06 DGB 13-45°	BR601.06 DG 13-45°



d	d1	l	l ₁	SW	with valve / con valvula	without valve / sin valvula
					REF.	REF.
G 1/4"	19	55	10	17	BR601.06 EGB 13	BR601.06 EG 13
G 3/8"	25	61	11	22	BR601.09 EGB 17	BR601.09 EG 17
G 1/2"	31	72	14	27	BR601.12 EGB 21	BR601.12 EG 21
G 3/4"	38	115,5	14	32	BR601.16 EGB 26	BR601.16 EG 26



d	d1	l	l ₁	SW	with valve / con valvula	without valve / sin valvula
					REF.	REF.
G 1/4"	19	55	10	17	BR601.06 EGB 13-90°	BR601.06 EG 13-90°
G 3/8"	25	61	11	22	BR601.09 EGB 17-90°	BR601.09 EG 17-90°
G 1/2"	31	72	14	27	BR601.12 EGB 21-90°	BR601.12 EG 21-90°
G 3/4"	38	115,5	14	32	BR601.16 EGB 26-90°	BR601.16 EG 26-90°

Mat: Brass
 Mat: Latón

O-ring: Viton®
 Junta: Vitón®

Temperature range: -20°C +100°C
 Rango de temperatura: -20°C + 100°C

Working pressure: 16 bar
 Presión de trabajo : 16 bar