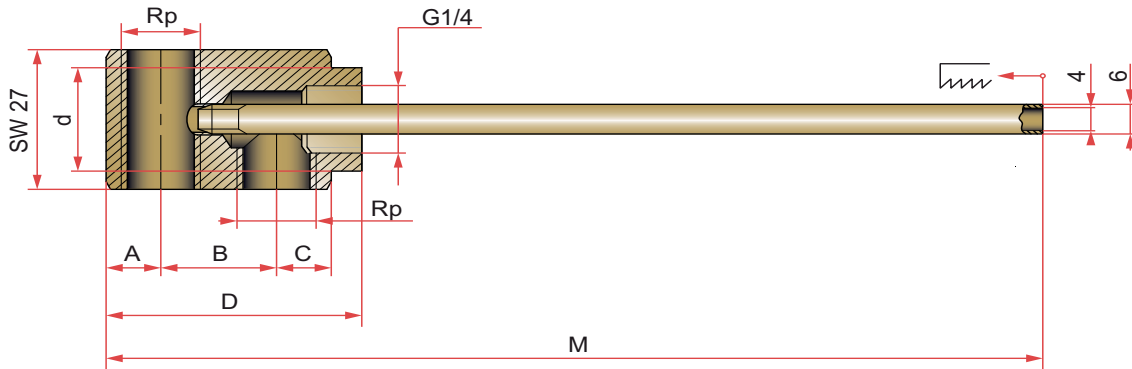


# BR485

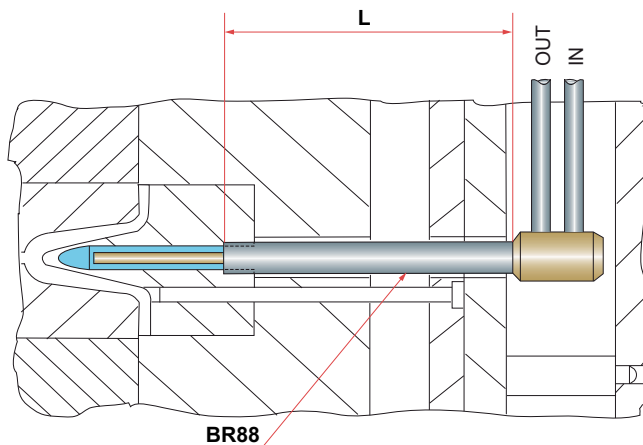


Cooling plug  
Fuente de refrigeración  
System chłodzenia  
Fonte de refrigeração  
Systeme de refroidissement



Mat. : Brass.

Rp	M	A	B	C	D	d	L*	REF.
G1/4	356	9	19	9	42	20	50	BR485-1/4
							100	
							150	
							175	
							200	
							250	
G1/8	356	9	19	9	42	20	50	BR485-1/8
							100	
							150	
							175	
							200	
							250	



L	REF.
50	BR88/ 1/4"x 50
75	BR88/ 1/4"x 75
100	BR88/ 1/4"x100
150	BR88/ 1/4"x150
200	BR88/ 1/4"x200
250	BR88/ 1/4"x250
300	BR88/ 1/4"x300