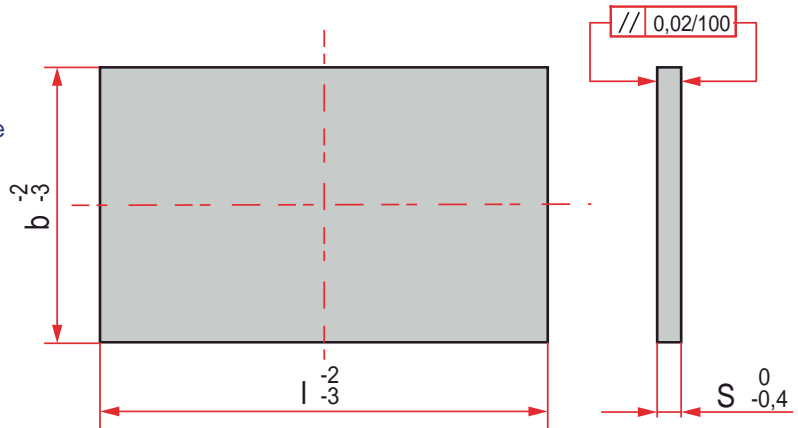


Thermal insulation board
 Placa aislante
 Płyta termoizolacyjna
 Placa isolante
 Plaque d'isolation calorifuge



= 0,28 P = 330 N/mm² T máx.=240°C

b	l	S	REF.
206	156	6	BR1011/6x156x206
	196		BR1011/6x196x206
196	246	6	BR1011/6x196x246
254			BR1011/6x254x246
246	196	6	BR1011/6x196x246
	296		BR1011/6x246x296
	346		BR1011/6x246x346
	396		BR1011/6x246x396
296	246	6	BR1011/6x296x246
	296		BR1011/6x296x296
	346		BR1011/6x296x346
	396		BR1011/6x296x396
	446		BR1011/6x296x446
346	296	6	BR1011/6x346x296
		8	BR1011/8x346x296
	346	6	BR1011/6x346x346
		8	BR1011/8x346x346
	396	6	BR1011/6x346x396
		8	BR1011/8x346x396
	446	6	BR1011/6x346x446
		8	BR1011/8x346x446

b	l	S	REF.	
396	346	6	BR1011/6x396x346	
		8	BR1011/8x396x346	
	396	8	BR1011/8x396x396	
			BR1011/8x396x396	
			BR1011/8x396x446	
			BR1011/8x396x496	
	446	396	6	BR1011/6x446x396
			8	BR1011/8x446x396
BR1011/8x446x446				
496	546	8	BR1011/8x446x496	
		8	BR1011/8x496x546	
546	446	8	BR1011/8x496x596	
		8	BR1011/8x546x446	
596	496	8	BR1011/8x546x496	
		8	BR1011/8x596x496	
696	596	8	BR1011/8x596x596	
		8	BR1011/8x596x696	
696	596	8	BR1011/8x696x596	

- Machining under drawing available upon request
- Mecanizados especiales según plano cliente
- Obróbka płyt możliwa na specjalne zamówienie
- Usinagem especial de acordo com o plano do cliente
- Usinage spécial selon dessin du client