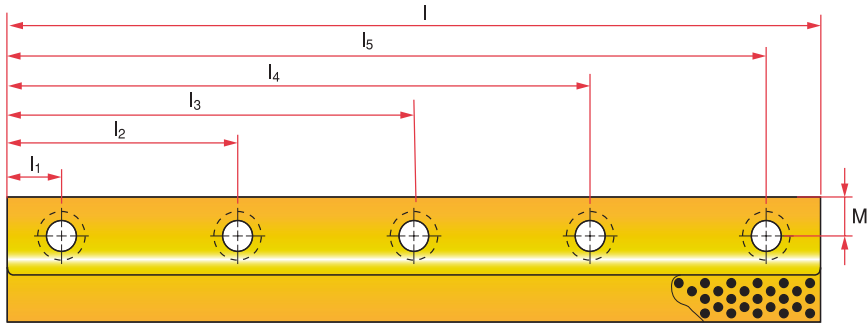
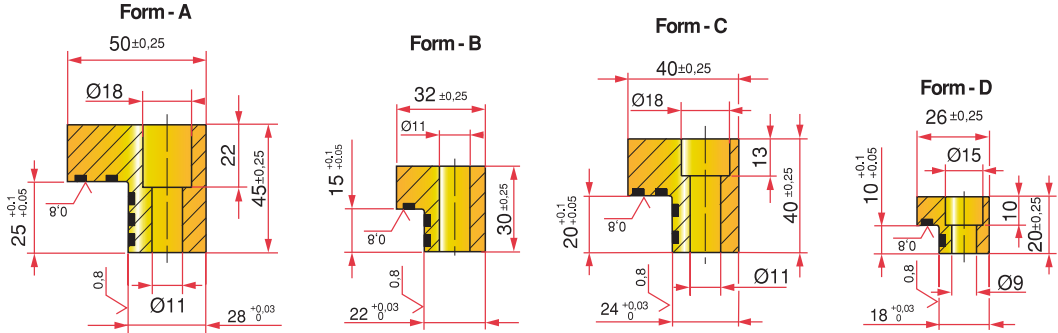


“L” Shaped wear plates self-lubricating
Placas de desgaste “L” autolubricada

Mat. SAE430B+GR
Hardness > 180HB
Dureza > 180HB



Form	l	l ₁	l ₂	l ₃	l ₄	l ₅	M	holes
D	100	20	80	-	-	-	9	2
	150			130	3			
	200			125 180	4			
B	100	20	80	-	-	-	11	2
	150			130	3			
	200			125 180	4			
	250			90 160 230				
C	160	15	145	-	-	-	12	2
	250			225	3			
A	200	20	75	125	180	-	14	4
	250			90 160 230				
	300			85 150 215	280			5
	350			100 175 250	330			

How to order: SW231/01 Form-I / Example: SW231/01-D-150
Forma de pedido: SW231/01 Form-I / Ejemplo: SW231/01-D-150