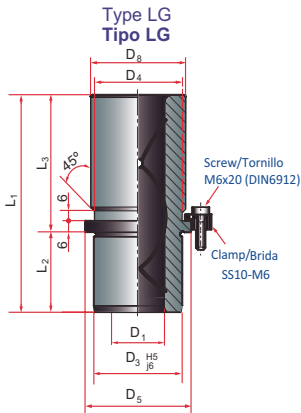
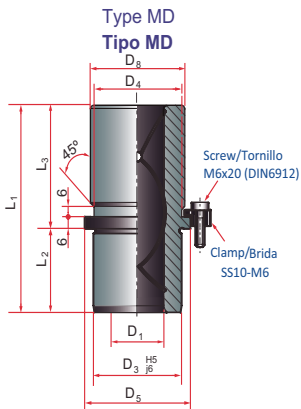


Steel guide bush
Casquillo guía acero

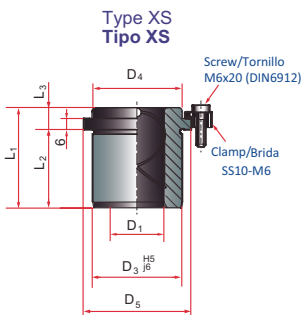
Mat. 16Mn Cr5 Cemented/ Hardness: 60±2 HRC
Mat. 16Mn Cr5 Cementado / Dureza: 60±2HRC



Tipo LG / Type LG							
D ₁	D ₃	D ₄	D ₅	D ₈	L ₁	L ₂	L ₃
19-20	32	32	40	39	59	23	36
24-25	40	40	48	46	79	23	56
30-32	48	48	56	53	93	30	63
38-40	58	58	66	63	108	37	71
48-50	70	70	80	77	127	47	80
60-63	85	85	95	92	150	60	90
80	105	105	118	115	150	60	90



Tipo MD / Type MD							
D ₁	D ₃	D ₄	D ₅	D ₈	L ₁	L ₂	L ₃
19-20	32	32	40	39	43	23	20
24-25	40	40	48	46	59	23	36
30-32	48	48	56	53	75	30	45
38-40	58	58	66	63	82	37	45
48-50	70	70	80	77	97	47	50
60-63	85	85	95	92	116	60	56
80	105	105	118	115	120	60	60

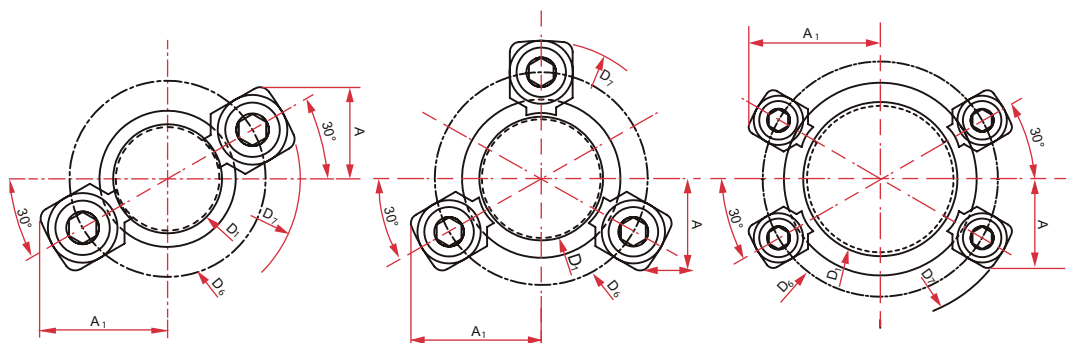


Tipo XS / Type XS							
D ₁	D ₃	D ₄	D ₅	L ₁	L ₂	L ₃	
19-20	32	32	40	35	23	12	
24-25	40	40	48	35	23	12	
30-32	48	48	56	42	30	12	
38-40	58	58	66	52	37	15	
48-50	70	70	80	65	47	18	
60-63	85	85	95	80	60	20	
80	105	105	118	80	60	20	

SB500/510/540/550

Mounting system for guide bush SB 500/510/540/550

Sistemas de montaje para casquillo guía SB500/510/540/550



Ø D1 19-20 mm = 2 screw clamp
 Ø D1 24-32 mm = 3 screw clamp
 Ø D1 from 38 mm = 4 screw clamp

Ø D1 19-20 mm = 2 bridas
 Ø D1 24-32 mm = 3 bridas
 Ø D1 a partir de 38 mm = 4 bridas

D_1	D_6	D_7	A	A_1
19-20	52	64,7	20,7	30
24-25	60	72,7	22,7	33,4
30-32	67	79,7	24,4	36,4
38-40	77	89,7	35,3	35,3
48-50	91	103,7	40,2	40,2
60-63	106	118,7	45,5	45,5
80	129	141,7	54,5	54,5