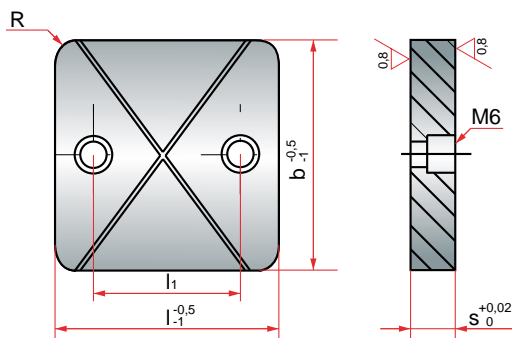


Rectangular shim
 Placa de presión
 Podkładka regulacyjna prostokątna
 Chapa de pressão rectangular
 Plaquette d'ajustage rectangulaire



Mat. : 12842 ≈ 58 HRC.

| R | M | s | l ₁ | b | l | REF. |
|---|----|------|----------------|----|-----|---------------|
| 8 | M6 | 10,1 | 24 | 32 | 40 | BR2680/32x040 |
| | | | 40 | | 64 | BR2680/32x064 |
| | | | 32 | 40 | 50 | BR2680/40x050 |
| | | | 52 | | 80 | BR2680/40x080 |
| | | | 40 | 50 | 64 | BR2680/50x064 |
| | | | 64 | | 100 | BR2680/50x100 |
| | | | 52 | 64 | 80 | BR2680/64x080 |
| | | | 80 | | 125 | BR2680/64x125 |

