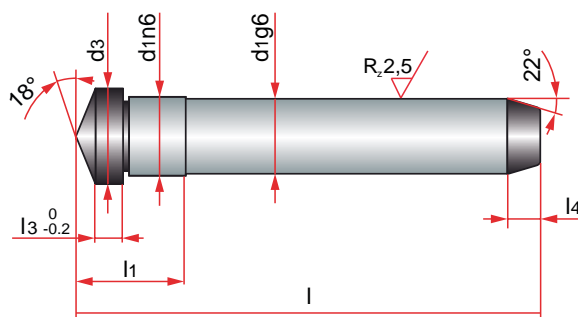


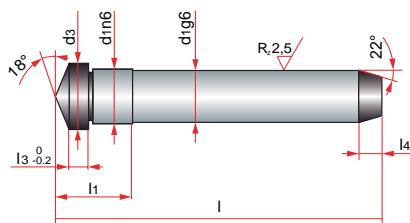
Inclined pin with tapered collar
 Guía inclinada con cabeza inclinada
 Słup skośny z kołnierzem stożkowym
 Guia inclinada
 Doigt de démoulage à tête cônica



Hardness: 58 ± 2 HRC.

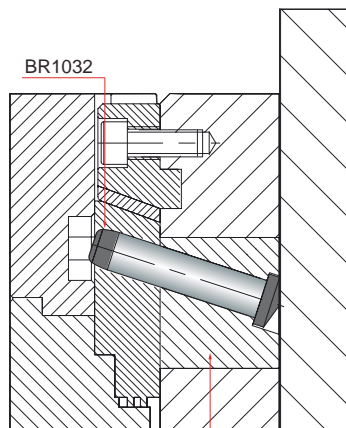
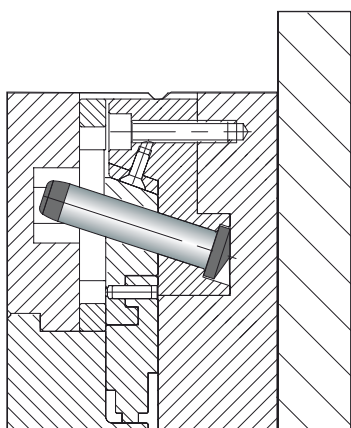
I 1	I 3	I 4	d 3	d 1	I	REF.
13	2	4	12	10	60	BR1032/10 x 60
					70	BR1032/10 x 70
					80	BR1032/10 x 80
					90	BR1032/10 x 90
					100	BR1032/10 x 100
					120	BR1032/10 x 120
17	3	5	15	12	60	BR1032/12 x 60
					80	BR1032/12 x 80
					100	BR1032/12 x 100
					120	BR1032/12 x 120
					140	BR1032/12 x 140
					160	BR1032/12 x 160
22			17	14	60	BR1032/14 x 60
					80	BR1032/14 x 80
					100	BR1032/14 x 100
					120	BR1032/14 x 120
					140	BR1032/14 x 140
					160	BR1032/14 x 160
			19	16	60	BR1032/16 x 60
					80	BR1032/16 x 80
					100	BR1032/16 x 100
					120	BR1032/16 x 120
					140	BR1032/16 x 140
					160	BR1032/16 x 160
			180	BR1032/16 x 180		

I 1	I 3	I 4	d 3	d 1	I	REF.			
22	3	5	19	16	200	BR1032/16 x 200			
					7	21	18	60	BR1032/18 x 60
								80	BR1032/18 x 80
								100	BR1032/18 x 100
								120	BR1032/18 x 120
								140	BR1032/18 x 140
	160	BR1032/18 x 160							
	4	23	20	80	BR1032/20 x 80				
				100	BR1032/20 x 100				
				120	BR1032/20 x 120				
				140	BR1032/20 x 140				
				160	BR1032/20 x 160				
180				BR1032/20 x 180					
25	22	60	BR1032/22 x 60						
		80	BR1032/22 x 80						
		100	BR1032/22 x 100						
		120	BR1032/22 x 120						
		140	BR1032/22 x 140						
		160	BR1032/22 x 160						



I1	I3	I4	d3	d1	l	REF.
22	4	7	25	22	180	BR1032/22 x 180
					200	BR1032/22 x 200
					220	BR1032/22 x 220
					240	BR1032/22 x 240
27	4	7	27	24	80	BR1032/24 x 80
					100	BR1032/24 x 100
					120	BR1032/24 x 120
					140	BR1032/24 x 140
					160	BR1032/24 x 160
					180	BR1032/24 x 180
					200	BR1032/24 x 200
					220	BR1032/24 x 220
					240	BR1032/24 x 240

I1	I3	I4	d3	d1	l	REF.
27	4	7	27	24	280	BR1032/24 x 280
36	5	7	35	30	100	BR1032/30 x 100
					120	BR1032/30 x 120
					140	BR1032/30 x 140
					160	BR1032/30 x 160
					180	BR1032/30 x 180
					200	BR1032/30 x 200
					220	BR1032/30 x 220
					240	BR1032/30 x 240
					280	BR1032/30 x 280
					320	BR1032/30 x 320
360	BR1032/30 x 360					



BR3060