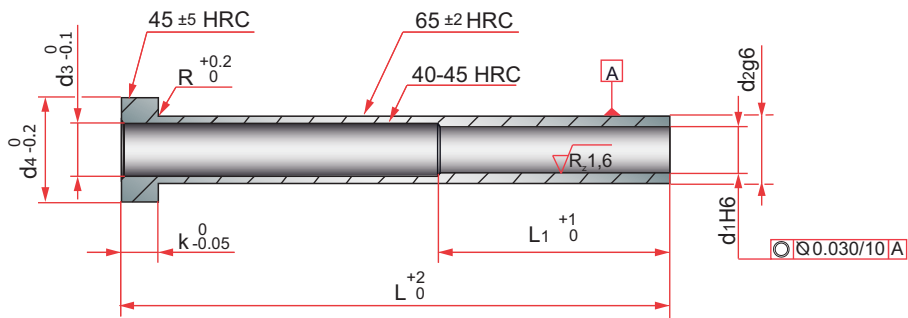
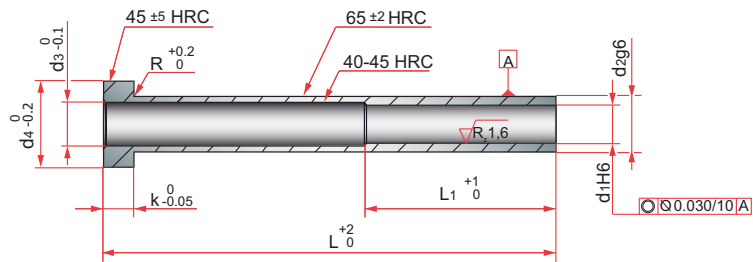


Nitrated bright ejector sleeve ETN  
 Expulsor tubular nitrurado pulido ETN  
 Wypychacz tulejowy azotowany ETN  
 Extrator tubular nitrurado polido ETN  
 Ejecteur tubulaire niture rode type ETN

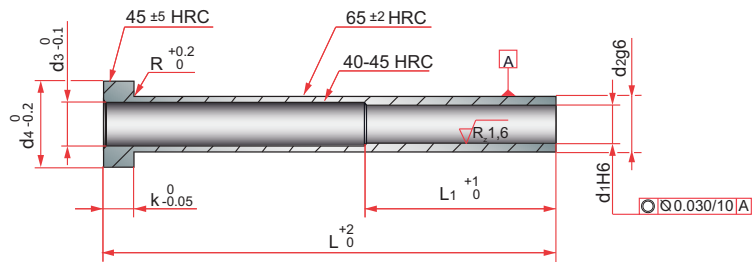


Mat. : 1.2344 - DIN 16756 / ISO 8405 - Maximum temperature at work: 550° C.

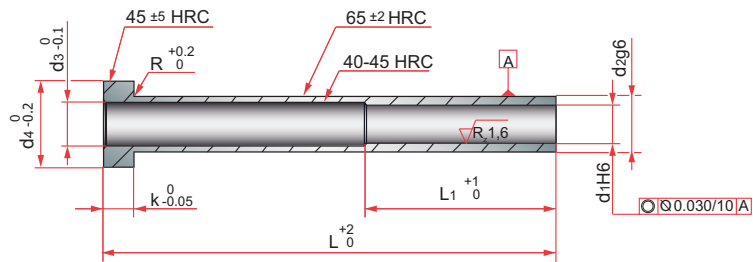
R	k	L1	d3	d4	d2	d1	L	REF.
0,3	3	35	2	6	3	1,6	75	ETN/01'60x03'00x075
							100	ETN/01'60x03'00x100
							125	ETN/01'60x03'00x125
			2,4	8	4	2	75	ETN/02'00x04'00x075
							100	ETN/02'00x04'00x100
							125	ETN/02'00x04'00x125
							150	ETN/02'00x04'00x150
							175	ETN/02'00x04'00x175
							200	ETN/02'00x04'00x200
		2,5					10	5
			100	ETN/02'20x04'00x100				
			125	ETN/02'20x04'00x125				
			150	ETN/02'20x04'00x150				
			175	ETN/02'20x04'00x175				
		3	10	5	2,5	200	ETN/02'20x04'00x200	
						75	ETN/02'50x05'00x075	
						100	ETN/02'50x05'00x100	
						125	ETN/02'50x05'00x125	
						150	ETN/02'50x05'00x150	
						175	ETN/02'50x05'00x175	
		45	10	5	2,7	200	ETN/02'50x05'00x200	
75	ETN/02'70x05'00x075							
100	ETN/02'70x05'00x100							
125	ETN/02'70x05'00x125							
							150	ETN/02'70x05'00x150



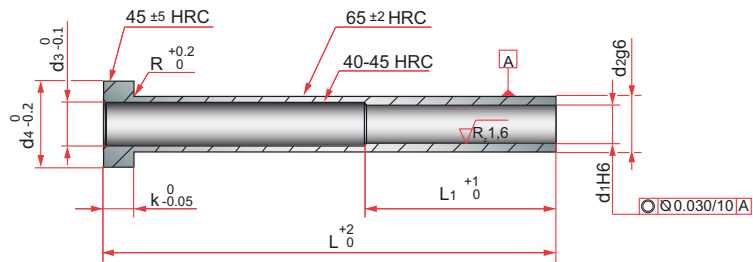
R	k	L1	d3	d4	d2	d1	L	REF.
0,3	3	45	3	10	5	2,7	175	ETN/02'70x05'00x175
							200	ETN/02'70x05'00x200
							3	75
			100			ETN/03'00x05'00x100		
			125			ETN/03'00x05'00x125		
			150			ETN/03'00x05'00x150		
			175			ETN/03'00x05'00x175		
			200			ETN/03'00x05'00x200		
			225			ETN/03'00x05'00x225		
			250			ETN/03'00x05'00x250		
			275			ETN/03'00x05'00x275		
			300			ETN/03'00x05'00x300		
			3,3			3,2	75	ETN/03'20x05'00x075
			100			ETN/03'20x05'00x100		
			125			ETN/03'20x05'00x125		
150	ETN/03'20x05'00x150							
175	ETN/03'20x05'00x175							
200	ETN/03'20x05'00x200							
3,5	3,5	75	ETN/03'50x06'00x075					
100	ETN/03'50x06'00x100							
125	ETN/03'50x06'00x125							
150	ETN/03'50x06'00x150							
175	ETN/03'50x06'00x175							
200	ETN/03'50x06'00x200							
225	ETN/03'50x06'00x225							
250	ETN/03'50x06'00x250							
275	ETN/03'50x06'00x275							
300	ETN/03'50x06'00x300							
3,7	3,7	75	ETN/03'70x06'00x075					
100	ETN/03'70x06'00x100							
125	ETN/03'70x06'00x125							
150	ETN/03'70x06'00x150							
0,5	5	45	4	12	6	3,5	75	ETN/03'50x06'00x075
100							ETN/03'50x06'00x100	
125							ETN/03'50x06'00x125	
150			ETN/03'50x06'00x150					
175			ETN/03'50x06'00x175					
200			ETN/03'50x06'00x200					
225			ETN/03'50x06'00x225					
250			ETN/03'50x06'00x250					
275			ETN/03'50x06'00x275					
300			ETN/03'50x06'00x300					
3,7			3,7			75	ETN/03'70x06'00x075	
100			ETN/03'70x06'00x100					
125			ETN/03'70x06'00x125					
150			ETN/03'70x06'00x150					



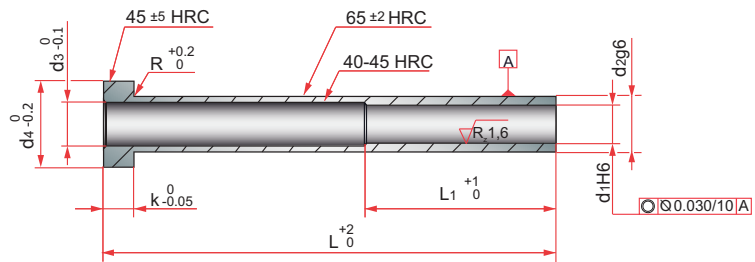
R	k	L1	d3	d4	d2	d1	L	REF.
0,5	5	45	4	12	6	3,7	175	ETN/03'70x06'00x175
							200	ETN/03'70x06'00x200
							4	75
			100			ETN/04'00x06'00x100		
			125			ETN/04'00x06'00x125		
			150			ETN/04'00x06'00x150		
			175			ETN/04'00x06'00x175		
			200			ETN/04'00x06'00x200		
			225			ETN/04'00x06'00x225		
			250			ETN/04'00x06'00x250		
			275			ETN/04'00x06'00x275		
			300			ETN/04'00x06'00x300		
		5	14	8	4,2	75	ETN/04'20x08'00x075	
		100				ETN/04'20x08'00x100		
		125				ETN/04'20x08'00x125		
		150				ETN/04'20x08'00x150		
		175				ETN/04'20x08'00x175		
		200				ETN/04'20x08'00x200		
		5,3	12	7	5	75	ETN/04'50x08'00x075	
		100				ETN/04'50x08'00x100		
		125				ETN/04'50x08'00x125		
		150				ETN/04'50x08'00x150		
		175				ETN/04'50x08'00x175		
		200				ETN/04'50x08'00x200		
		225				ETN/04'50x08'00x225		
		250				ETN/04'50x08'00x250		
		275				ETN/04'50x08'00x275		
		300	ETN/04'50x08'00x300					
		100	ETN/05'00x07'00x100					
		125	ETN/05'00x07'00x125					
		150	ETN/05'00x07'00x150					
		175	ETN/05'00x07'00x175					



R	k	L1	d3	d4	d2	d1	L	REF.		
0,5	5	45	5,3	12	7	5	200	ETN/05'00x07'00x200		
							225	ETN/05'00x07'00x225		
							250	ETN/05'00x07'00x250		
			5,5	14	8	75	ETN/05'00x08'00x075			
						100	ETN/05'00x08'00x100			
						125	ETN/05'00x08'00x125			
						150	ETN/05'00x08'00x150			
						175	ETN/05'00x08'00x175			
						200	ETN/05'00x08'00x200			
						225	ETN/05'00x08'00x225			
						250	ETN/05'00x08'00x250			
						275	ETN/05'00x08'00x275			
		5,2	14	8	300	ETN/05'00x08'00x300				
					75	ETN/05'20x08'00x075				
					100	ETN/05'20x08'00x100				
					125	ETN/05'20x08'00x125				
					150	ETN/05'20x08'00x150				
					175	ETN/05'20x08'00x175				
		6	16	9	5,5	200	ETN/05'20x08'00x200			
						75	ETN/05'50x09'00x075			
						100	ETN/05'50x09'00x100			
						125	ETN/05'50x09'00x125			
						150	ETN/05'50x09'00x150			
						175	ETN/05'50x09'00x175			
					6,5	16	9	5,5	200	ETN/05'50x09'00x200
									225	ETN/05'50x09'00x225
									250	ETN/05'50x09'00x250
									275	ETN/05'50x09'00x275
									300	ETN/05'50x09'00x300
									75	ETN/06'00x10'00x075
6,5	16	10	6	100	ETN/06'00x10'00x100					
				125	ETN/06'00x10'00x125					



R	k	L1	d3	d4	d2	d1	L	REF.	
0,5	5	45	6,5	16	10	6	150	ETN/06'00x10'00x150	
							175	ETN/06'00x10'00x175	
							200	ETN/06'00x10'00x200	
							225	ETN/06'00x10'00x225	
							250	ETN/06'00x10'00x250	
							275	ETN/06'00x10'00x275	
							300	ETN/06'00x10'00x300	
							6,2	75	ETN/06'20x10'00x075
								100	ETN/06'20x10'00x100
								125	ETN/06'20x10'00x125
			150			ETN/06'20x10'00x150			
			175			ETN/06'20x10'00x175			
			200			ETN/06'20x10'00x200			
			7			225	ETN/06'20x10'00x225		
						250	ETN/06'20x10'00x250		
						7,5	100	ETN/07'00x10'00x100	
							125	ETN/07'00x10'00x125	
							150	ETN/07'00x10'00x150	
							175	ETN/07'00x10'00x175	
			200				ETN/07'00x10'00x200		
225	ETN/07'00x10'00x225								
250	ETN/07'00x10'00x250								
0,8	7		8,5	20	12	8	75	ETN/08'00x12'00x075	
							100	ETN/08'00x12'00x100	
							125	ETN/08'00x12'00x125	
							150	ETN/08'00x12'00x150	
							175	ETN/08'00x12'00x175	
							200	ETN/08'00x12'00x200	
							225	ETN/08'00x12'00x225	
							250	ETN/08'00x12'00x250	
							275	ETN/08'00x12'00x275	
300	ETN/08'00x12'00x300								



R	k	L1	d3	d4	d2	d1	L	REF.			
0,8	7	45	8,5	20	12	8,2	75	ETN/08'20x12'00x075			
							100	ETN/08'20x12'00x100			
							125	ETN/08'20x12'00x125			
							150	ETN/08'20x12'00x150			
							175	ETN/08'20x12'00x175			
							200	ETN/08'20x12'00x200			
							225	ETN/08'20x12'00x225			
							250	ETN/08'20x12'00x250			
		50	10,5	22	14	10	75	ETN/10'00x14'00x075			
							100	ETN/10'00x14'00x100			
							125	ETN/10'00x14'00x125			
							150	ETN/10'00x14'00x150			
							175	ETN/10'00x14'00x175			
							200	ETN/10'00x14'00x200			
							225	ETN/10'00x14'00x225			
							250	ETN/10'00x14'00x250			
							275	ETN/10'00x14'00x275			
							300	ETN/10'00x14'00x300			
							12,5	16	12	100	ETN/12'00x16'00x100
										125	ETN/12'00x16'00x125
		150	ETN/12'00x16'00x150								
		175	ETN/12'00x16'00x175								
		200	ETN/12'00x16'00x200								
		225	ETN/12'00x16'00x225								
		250	ETN/12'00x16'00x250								
		275	ETN/12'00x16'00x275								
		300	ETN/12'00x16'00x300								