

BR1728DLC

E 1728DLC



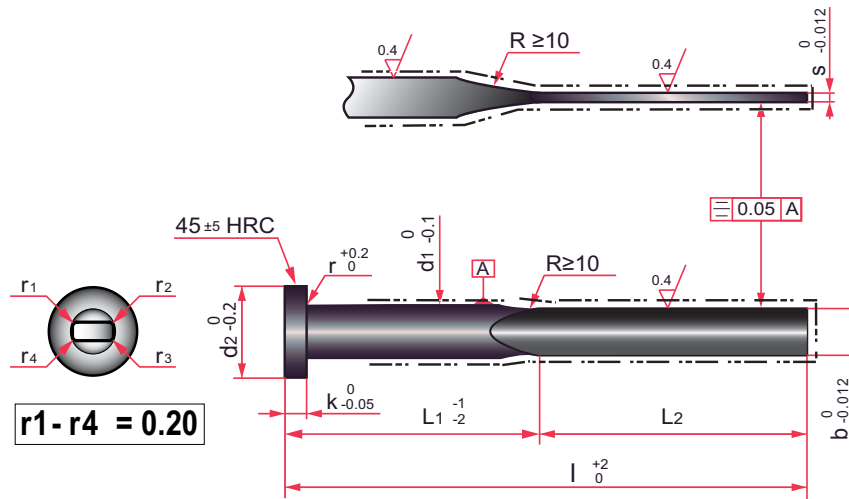
Flat ejector pin with 4 angle radii, through-hardened, with DLC coating

Expulsor laminar templado, 4 radios, con recubrimiento DLC

Wypychacz płaski, hartowany, końcówka 4R zaokrąglona, z powłoką DLC

Extrator de lâmina, temperado, 4 radios, com revestimento DLC

Ějecteur á lame, trempé avec 4 rayons et revêtement DLC

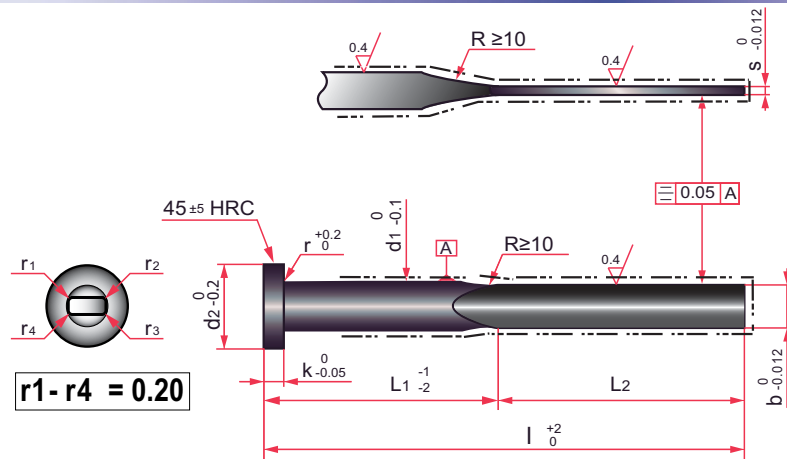


Material: SUJ2(58-62HRC)+DLC

DLC coated

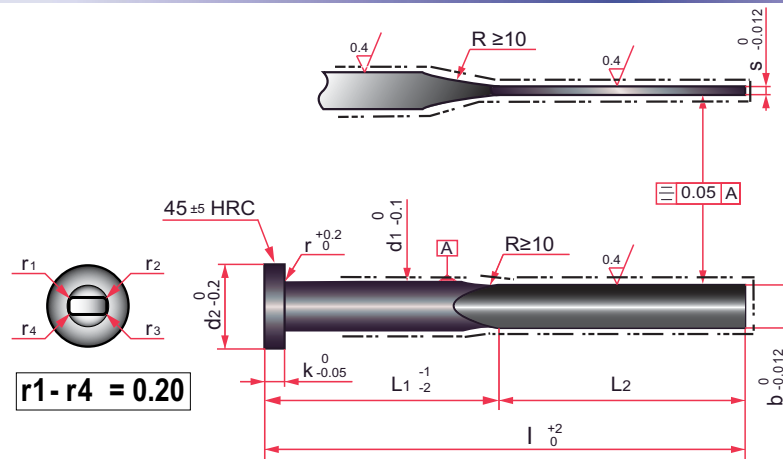
r	d1	d2	l1	l2	k	b	s	l	REF.
0,3	3	6	50	50	3	2,8	0,5	100	BR1728DLC/02,8x0,5x100
			60	65				125	BR1728DLC/02,8x0,5x125
			80	80				160	BR1728DLC/02,8x0,5x160
			50	50				0,6	100
		60	65	125			BR1728DLC/02,8x0,6x125		
		80	80	160			BR1728DLC/02,8x0,6x160		
		50	50	0,8			100	BR1728DLC/02,8x0,8x100	
		60	65	125			BR1728DLC/02,8x0,8x125		
		80	80	160			BR1728DLC/02,8x0,8x160		
		100	100	200			BR1728DLC/02,8x0,8x200		
		50	50	1			100	BR1728DLC/02,8x1,0x100	
		60	65	125			BR1728DLC/02,8x1,0x125		
	80	80	160	BR1728DLC/02,8x1,0x160					
	100	100	200	BR1728DLC/02,8x1,0x200					
	4,2	8	50	50	3,8	0,5	100	BR1728DLC/03,8x0,5x100	
				60			65	125	BR1728DLC/03,8x0,5x125
				80			80	160	BR1728DLC/03,8x0,5x160
				50			50	0,6	100
			60	65		125	BR1728DLC/03,8x0,6x125		
			80	80		160	BR1728DLC/03,8x0,6x160		
100			100	200		BR1728DLC/03,8x0,6x200			
50			50	0,8		100	BR1728DLC/03,8x0,8x100		
60			65	125		BR1728DLC/03,8x0,8x125			

BR1728DLC



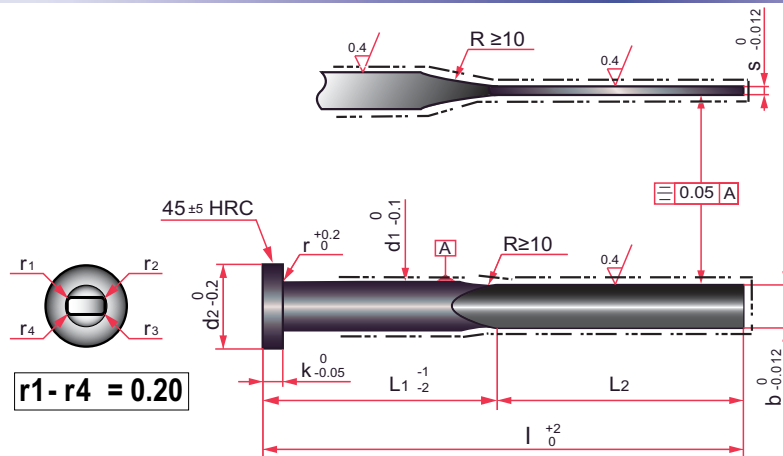
r	d1	d2	l1	l2	k	b	s	l	REF.		
0,3	4,2	8	80	80	3	3,8	0,8	160	BR1728DLC/03,8x0,8x160		
			100	100				200	BR1728DLC/03,8x0,8x200		
			125	125				250	BR1728DLC/03,8x0,8x250		
			50	50				1	100	BR1728DLC/03,8x1,0x100	
			60	65					125	BR1728DLC/03,8x1,0x125	
			80	80					160	BR1728DLC/03,8x1,0x160	
			100	100					200	BR1728DLC/03,8x1,0x200	
			125	125					250	BR1728DLC/03,8x1,0x250	
			160	155					315	BR1728DLC/03,8x1,0x315	
			50	50				1,2	100	BR1728DLC/03,8x1,2x100	
			60	65					125	BR1728DLC/03,8x1,2x125	
			80	80					160	BR1728DLC/03,8x1,2x160	
	100	100	200	BR1728DLC/03,8x1,2x200							
	125	125	250	BR1728DLC/03,8x1,2x250							
	160	155	315	BR1728DLC/03,8x1,2x315							
	5	10	50	50	50	4,5	4,5	1	100	BR1728DLC/04,5x1,0x100	
				60	65				125	BR1728DLC/04,5x1,0x125	
				80	80				160	BR1728DLC/04,5x1,0x160	
				100	100				200	BR1728DLC/04,5x1,0x200	
				125	125				250	BR1728DLC/04,5x1,0x250	
				160	155				315	BR1728DLC/04,5x1,0x315	
				50	50				1,2	100	BR1728DLC/04,5x1,2x100
				60	65					125	BR1728DLC/04,5x1,2x125
				80	80					160	BR1728DLC/04,5x1,2x160
100				100	200					BR1728DLC/04,5x1,2x200	
125				125	250					BR1728DLC/04,5x1,2x250	
160				155	315					BR1728DLC/04,5x1,2x315	
50			50	1,5	100	BR1728DLC/04,5x1,5x100					
60			65		125	BR1728DLC/04,5x1,5x125					
80			80		160	BR1728DLC/04,5x1,5x160					

BR1728DLC



r	d1	d2	l1	l2	k	b	s	l	REF.						
0,3	5	10	100	100	3	4,5	1,5	200	BR1728DLC/04,5x1,5x200						
			125	125				250	BR1728DLC/04,5x1,5x250						
			160	155				315	BR1728DLC/04,5x1,5x315						
0,5	6	12	50	50	5	5,5	1	100	BR1728DLC/05,5x1,0x100						
			60	65				125	BR1728DLC/05,5x1,0x125						
			80	80				160	BR1728DLC/05,5x1,0x160						
			100	100				200	BR1728DLC/05,5x1,0x200						
			125	125				250	BR1728DLC/05,5x1,0x250						
			160	155				315	BR1728DLC/05,5x1,0x315						
			50	50				1,2	100	BR1728DLC/05,5x1,2x100					
			60	65					125	BR1728DLC/05,5x1,2x125					
			80	80					160	BR1728DLC/05,5x1,2x160					
			100	100					200	BR1728DLC/05,5x1,2x200					
			125	125					250	BR1728DLC/05,5x1,2x250					
			160	155					315	BR1728DLC/05,5x1,2x315					
			50	50			1,5		100	BR1728DLC/05,5x1,5x100					
			60	65					125	BR1728DLC/05,5x1,5x125					
			80	80					160	BR1728DLC/05,5x1,5x160					
			100	100					200	BR1728DLC/05,5x1,5x200					
			125	125					250	BR1728DLC/05,5x1,5x250					
			160	155					315	BR1728DLC/05,5x1,5x315					
			50	50				2	100	BR1728DLC/05,5x2,0x100					
			60	65					125	BR1728DLC/05,5x2,0x125					
			80	80					160	BR1728DLC/05,5x2,0x160					
			100	100					200	BR1728DLC/05,5x2,0x200					
			125	125					250	BR1728DLC/05,5x2,0x250					
			160	155					315	BR1728DLC/05,5x2,0x315					
			8	14			8		50	50	7,5	7,5	1,2	100	BR1728DLC/07,5x1,2x100
									60	65				125	BR1728DLC/07,5x1,2x125
									80	80				160	BR1728DLC/07,5x1,2x160

BR1728DLC



r	d1	d2	l1	l2	k	b	s	l	REF.			
0,5	8	14	100	100	5	7,5	1,2	200	BR1728DLC/07,5x1,2x200			
			125	125				250	BR1728DLC/07,5x1,2x250			
			160	155				315	BR1728DLC/07,5x1,2x315			
			60	65				1,5	125	BR1728DLC/07,5x1,5x125		
			80	80					160	BR1728DLC/07,5x1,5x160		
			100	100					200	BR1728DLC/07,5x1,5x200		
		125	125	250			BR1728DLC/07,5x1,5x250					
		160	155	315			BR1728DLC/07,5x1,5x315					
		80	80	2			160	BR1728DLC/07,5x2,0x160				
		100	100				200	BR1728DLC/07,5x2,0x200				
		125	125				250	BR1728DLC/07,5x2,0x250				
		160	155	315			BR1728DLC/07,5x2,0x315					
	10	16	80	80	9,5	1,5	160	BR1728DLC/09,5x1,5x160				
				100			100	200	BR1728DLC/09,5x1,5x200			
				125			125	250	BR1728DLC/09,5x1,5x250			
				160			155	315	BR1728DLC/09,5x1,5x315			
				100			100	2	200	BR1728DLC/09,5x2,0x200		
				125			125		250	BR1728DLC/09,5x2,0x250		
160			155	315		BR1728DLC/09,5x2,0x315						
0,8			12	18		100	7	11,5	200	BR1728DLC/11,5x2,0x200		
						125			125	250	BR1728DLC/11,5x2,0x250	
						160			155	315	BR1728DLC/11,5x2,0x315	
						100			100	2,5	200	BR1728DLC/11,5x2,5x200
						125			125		250	BR1728DLC/11,5x2,5x250
	160	155			315	BR1728DLC/11,5x2,5x315						