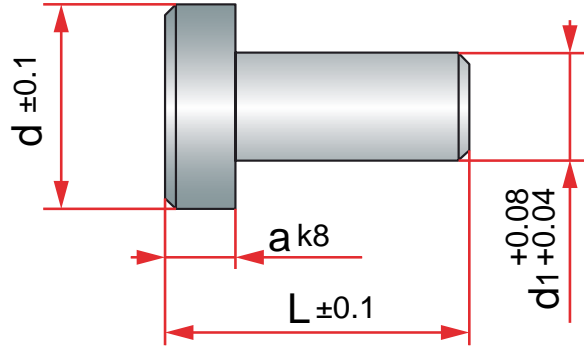


TP



Stop pin
 Topes placa
 Kołek dystansowy
 Botão de encosto
 Butee de course d'ejection



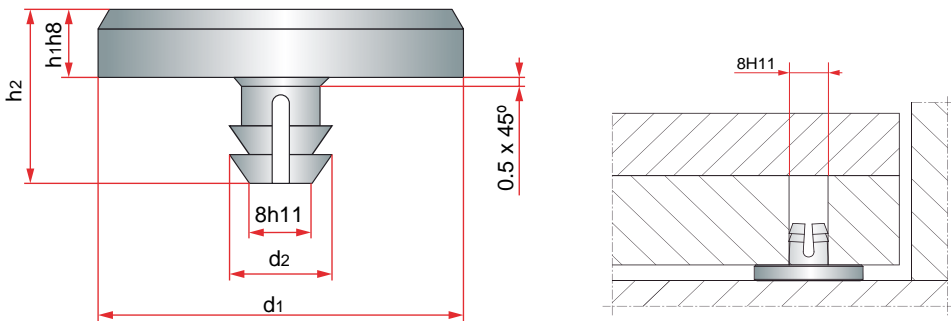
Hardness: 54 ± 2 HRC.

d1	a	L	d	REF.
8	4,5	20	15	TP/ 15
10	5	15	20	TP/ 20

TP551

E 1505, Z 551

Stop pin
 Topes placa
 Kołek dystansowy
 Botão de encosto
 Butee de course d'ejection



Hardness: 54 ± 2 HRC

d2	h1	d1	h2	REF.
8,2	3	16	11	TP551/ 16
		25		TP551/ 25

