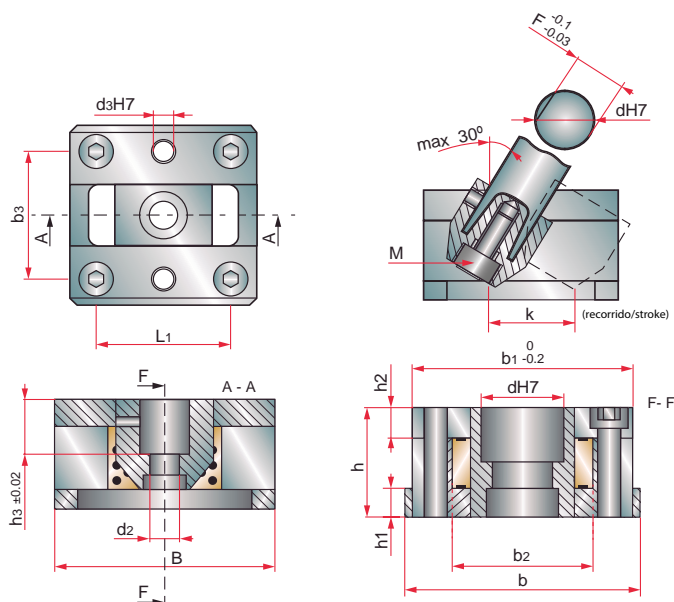


S10

Sliding carriages
 Carro para corredera
 Obsada wypychacza skośnego
 Deslizador
 Tiroir articulé



h	b ₁	b ₂	b ₃	L ₁	h ₁	h ₂	h ₃	M	d ₂	d ₃	F	k	b	B	d	REF.
22	30	19	24	20	5	7	8	M4	4,5	3	7	10	33	32	8	S10/08
27	40	25	32	30		8	10	M5	5,5	4						9
32	51	31	39	35	7	10	12	M6	7	6	11	20	57	50	12	S10/12
36	58	38	46	40												8
42	72	44	56	55	11	12	20	M10	11	8	18	30	80	80	20	S10/20
50	85	52	66	65												15
55	93	60	74	70	15	15	30									S10/30
62	110	70	85	80												18
70	120	80	95	90	15	18	40	M16	17,5							S10/40

