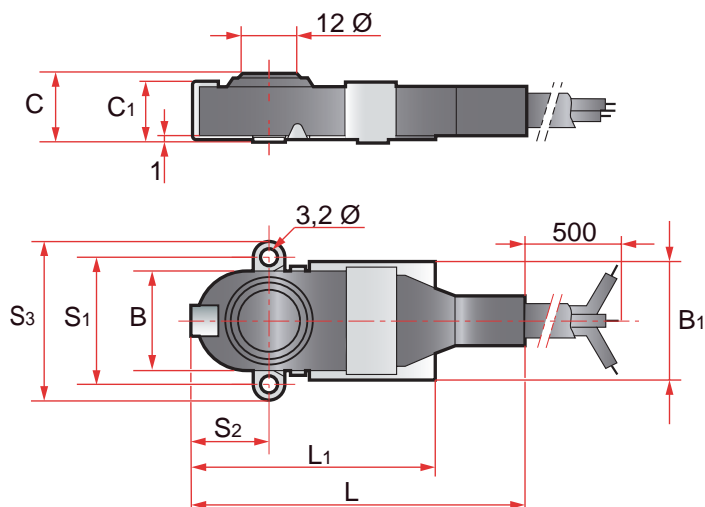


BR22

Micro
Microcontactor
Wyłącznik krańcowy
Micro
Micro-compteur



IP 66 / Casing: Nitrile / Contacts: Silver / Contact holder: Polyamide / Mounting plate: Zinc

| B | B ₁ | C | C ₁ | L | L ₁ | S ₁ | S ₂ | S ₃ | REF. |
|----|----------------|------|----------------|----|----------------|----------------|----------------|----------------|------|
| 20 | 24 | 12,3 | 10,3 | 71 | 49 | 26 | 16 | 32 | BR22 |

| | |
|-------------------------------------|---------------------|
| Maximum operating force (N) | 7.5 |
| Min. Release force (N) | 1.5 |
| Maximum total travel force (N) | 8 |
| Max. permitted overtravel force (N) | 30 |
| Tripping point (mm) | 11.4±0.4 |
| Maximum differential travel (mm) | 0.2 |
| Min. overtravel (mm) | 0.25 |
| Ambient operating temperature (°C) | 0 → |
| Mechanical life (operations) | 2 x 10 ⁶ |
| Contact gap (mm) | 0.5 |
| Weight (g) | 45 |

Common (1) : black
Normally closed (2) : brown
Normally open (4) : grey

Double break changeover switch

