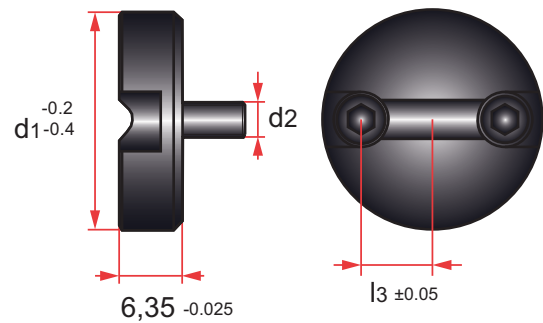
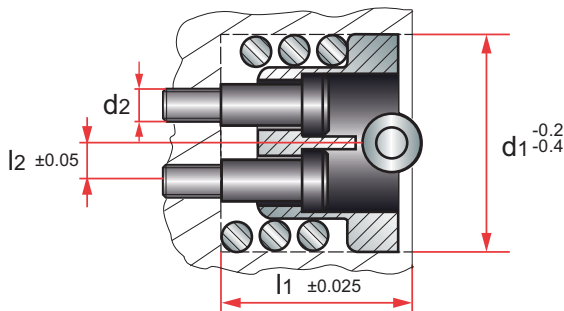


BR1892/BR1893

Z 1892, Z 1893



Slide retainer
Retensor de corredera
Rolkowy zatrask
Retenores de movimientos
Butée de tiroir



BR1892

BR1893

Maximum temperature = 200° C.

d2	R1	I7	I6	I5	I4	I3	I2	I1	d1	REF.
M3	2	1,90	-	1	0,23	-	3,95	4,06	16	BR1892/16
M4	3	4,80	-	2	0,75	-	3,80	12,70	19	BR1892/19
		6,20	-			-		19,05	22	BR1892/22
M3	2	-	6,5	1	0,23	4,85	-	-	16	BR1893/16
		-				6,35	-	-	19	BR1893/19
		-				7,60	-	-	22	BR1893/22

