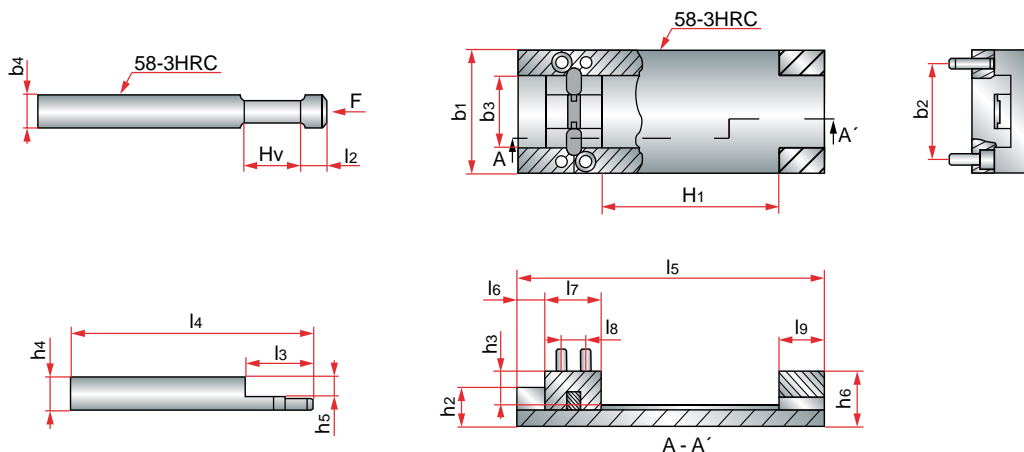


Latch locking unit  
 Tirante  
 Mechanizm dwustopniowego otwarcia  
 Trinco  
 Loquet



| F (N) | h6    | h5 | h4 | h3   | h2 | b4 | b3    | b2 | l9 | l8 | l7 | l6 | l5  | l4  | l3 | l2    | b1  | H1 (Min.) | H1 (Max.) | Hv | REF.                |
|-------|-------|----|----|------|----|----|-------|----|----|----|----|----|-----|-----|----|-------|-----|-----------|-----------|----|---------------------|
| 16000 | 22,30 | 10 | 16 | 9,3  | 16 | 15 | 30,05 | 40 | 20 | 10 | 20 | 10 | 140 | 140 | 20 | 9,75  | 50  | 4         | 90        | 0  | BR174/ 50 x 90 x 0  |
|       |       |    |    |      |    |    |       |    |    |    |    |    |     |     |    |       |     |           |           |    | 20                  |
| 27000 | 30,30 | 13 | 21 | 12,3 | 22 | 20 | 45,05 | 60 | 34 | 16 | 34 | 15 | 200 | 200 | 34 | 16,75 | 80  | 5,50      | 117       | 0  | BR174/ 80 x 117 x 0 |
|       |       |    |    |      |    |    |       |    |    |    |    |    |     |     |    |       |     |           |           |    | 66                  |
| 48000 | 37,50 | 16 | 27 | 15,5 | 27 | 25 | 60,05 | 80 | 45 | 22 | 45 |    | 250 | 250 | 45 | 22,25 | 100 | 7         | 145       | 0  | BR174/100 x 145 x 0 |
|       |       |    |    |      |    |    |       |    |    |    |    |    |     |     |    |       |     |           |           |    | 95                  |

