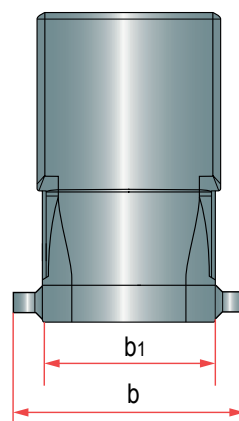
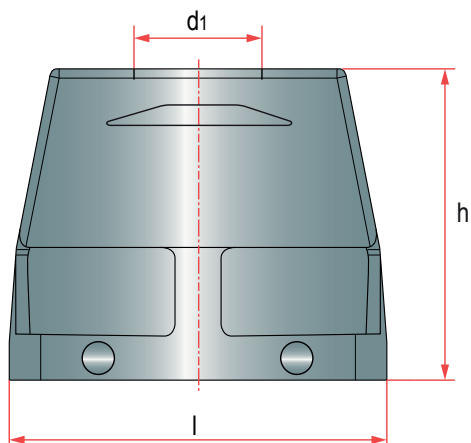


# BR2731



Sleeve housing for double locking lacht  
Capota de enchufe con sujeción doble



Mat. Die-cast aluminium. Maximum temperature at work: 125° C.

<b>b</b>	<b>l</b>	<b>h</b>	<b>b1</b>	<b>d1</b>	<b>poles</b>	<b>type</b>	<b>DESC.</b>
57	73	72	43	M25x1,5	<b>10</b>	<b>B</b>	<b>BR2731/10B</b>
	93,5	76		PG21	<b>16</b>		<b>BR2731/16B</b>
	120			PG29	<b>24</b>		<b>BR2731/24B</b>