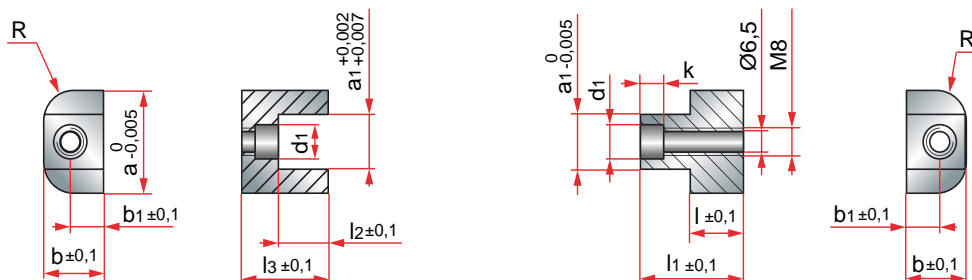


BR50

Centring element
 Centrador lateral
 Zamek boczny
 Bloco de travamento lateral
 Unites de centrage



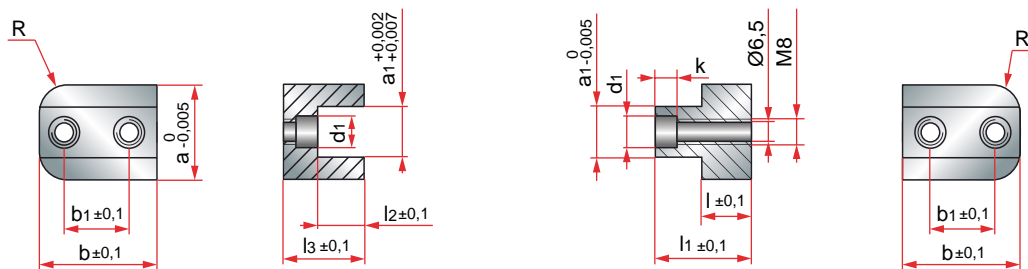
BR50/0



Mat. : 1.2510. Hardness: 54 ± 2 HRC.

a1	k	d1	l2	l	b1	R	l3	b	a	l1	REF.
16	7	11	14,8	15,5	10	8	26	18	30	30	BR50/0

BR50/1

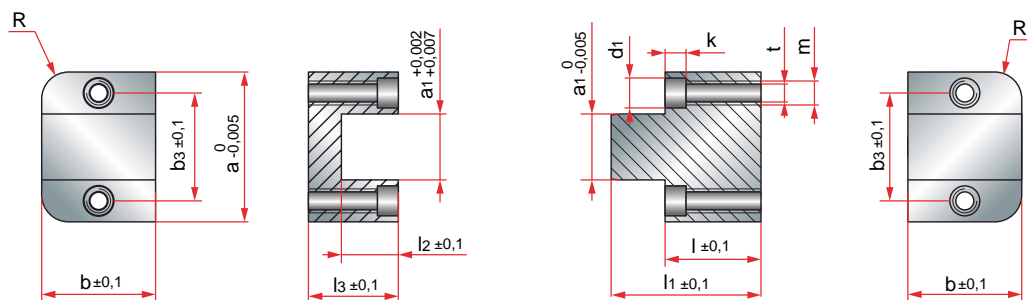


Mat. : 1.2510. Hardness: 54 ± 2 HRC.

a1	k	d1	l2	l	b1	R	l3	b	a	l1	REF.
16	7	11	14,8	15,5	22	8	26	38	30	30	BR50/ 1



BR50/2-3



Mat. : 1.2510. Hardness: 54 ± 2 HRC.

a_1	t	m	k	d_1	l	l_2	b_3	R	l_3	l_1	b	a	REF.
20	6,5	M8	7	11	29,8	20	35	8	29,8	48,8	38	50	BR50/ 2
30	8,3	M10	10	14	39,8	25	52		39,8	63,8		75	BR50/ 3

