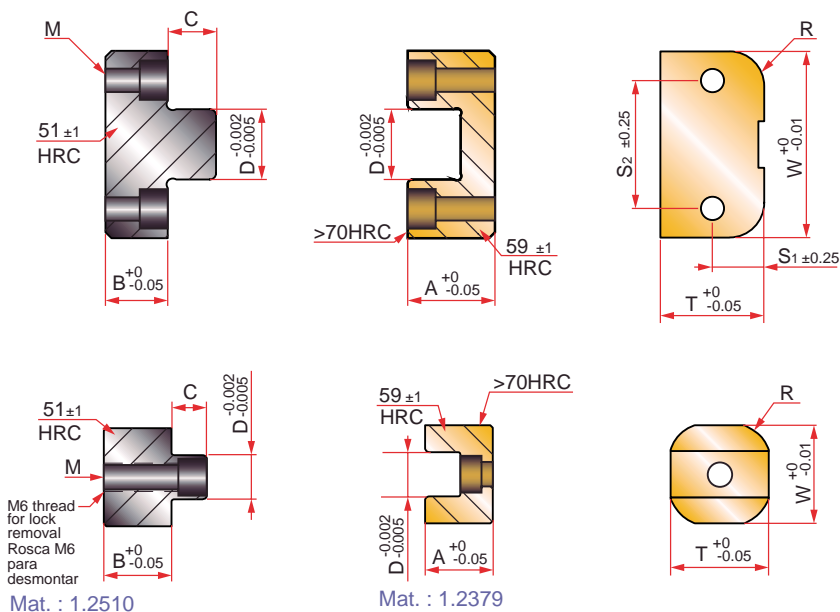


# BR152

Centring element  
 Centrador lateral  
 Zamek górny  
 Bloco de travamento lateral  
 Unites de centrage



R	M	S1	S2	D	C	B	A	T	W	REF.
5	M6	CENTER	CENTER	9	7	14	14	20	20	BR152/ 20 x 20
8	Ø5,5	13	23	11	16	15	25	26	35	BR152/ 26 x 35
	Ø6,5	15	30	15				30	45	BR152/ 30 x 45
	Ø9	18	37,5	20	20	20	30	36	55	BR152/ 36 x 55
	Ø11		52	30			26	35	75	BR152/ 36 x 75
		22,5	70	40	41	60	45	100	BR152/ 45 x 100	

