

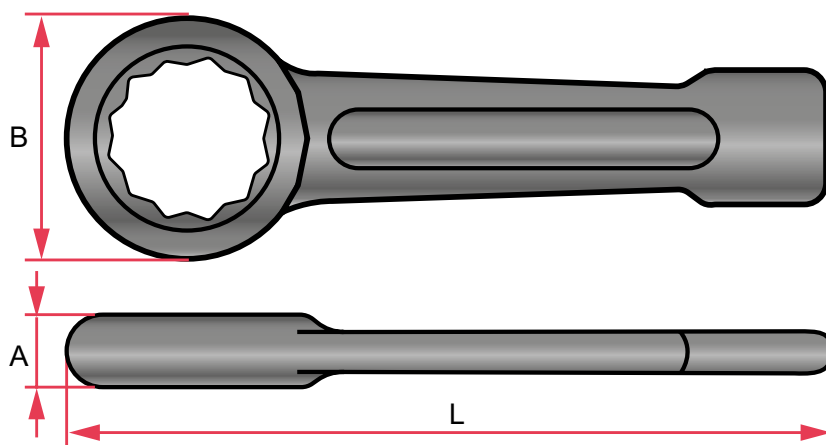
BR7444



Slogging wrenches (ring end)

Llave de golpe estrella

Klucz oczkowy do pobijania



DIN 7444

Llave	L	A	B	Peso	REF.
24 mm	165 mm	15 mm	43 mm	235 g	BR7444-24
27 mm	180 mm	16 mm	46 mm	295 g	BR7444-27
30 mm	190 mm	17 mm	52 mm	400 g	BR7444-30
32 mm	190 mm	17 mm	52 mm	400 g	BR7444-32
34 mm	205 mm	18 mm	57 mm	400 g	BR7444-34
36 mm	205 mm	18 mm	58 mm	540 g	BR7444-36
38 mm	205 mm	18 mm	58 mm	540 g	BR7444-38
41 mm	230 mm	20 mm	66 mm	700 g	BR7444-41
42 mm	230 mm	20 mm	66 mm	700 g	BR7444-42
46 mm	240 mm	22 mm	74 mm	970 g	BR7444-46
50 mm	255 mm	24 mm	80 mm	1130 g	BR7444-50
55 mm	270 mm	25 mm	86 mm	1345 g	BR7444-55
60 mm	280 mm	26 mm	93 mm	1650 g	BR7444-60
65 mm	300 mm	30 mm	102 mm	2000 g	BR7444-65
70 mm	330 mm	33 mm	110 mm	2600 g	BR7444-70