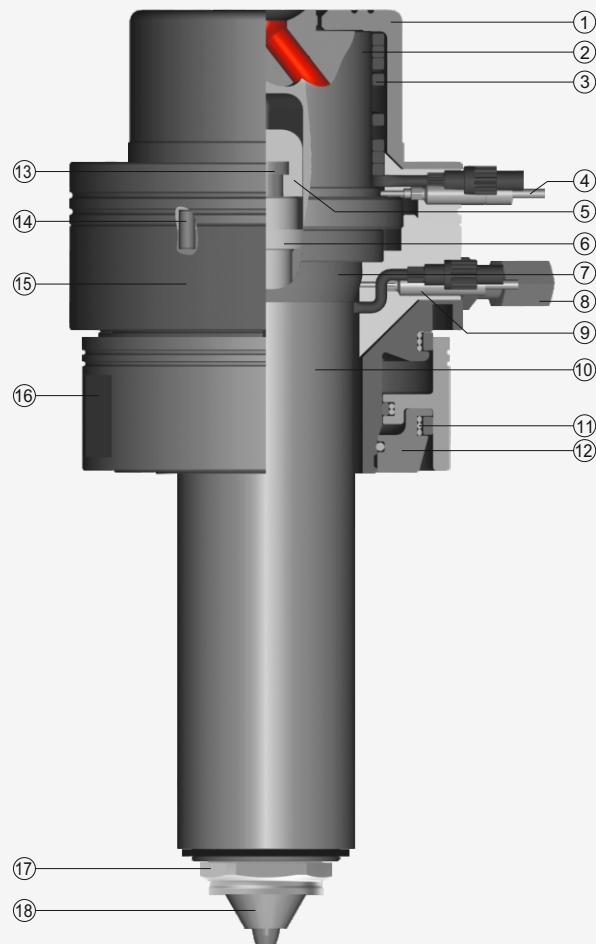
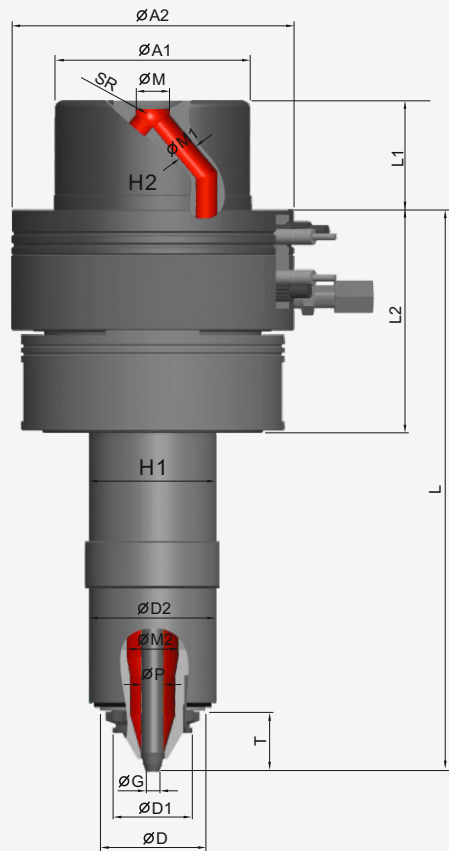


SSV Single Valve Introduction

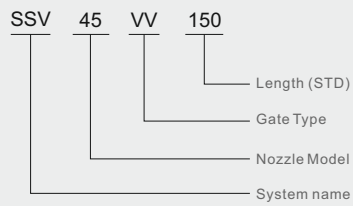


- | | |
|--------------------|-------------------|
| ① TOP COVER | ⑪ O-RING |
| ② HEAD BODY | ⑫ CYLINDER BOTTOM |
| ③ HEAD BODY HEATER | ⑬ VALVE PIN |
| ④ THERMOCOUPLE | ⑭ LOCK PIN |
| ⑤ PISTON IN | ⑮ HOUSING |
| ⑥ PIN GUIDE BUSH | ⑯ PISTON OUT |
| ⑦ NOZZLE BODY | ⑰ UNION |
| ⑧ AIR NIPPLE | ⑱ TIP |
| ⑨ THERMOCOUPLE | |
| ⑩ HEATER | |

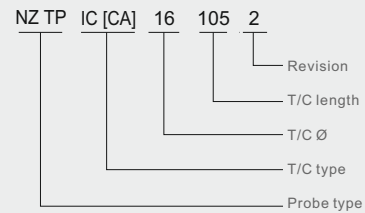
SSV Single Valve Introduction



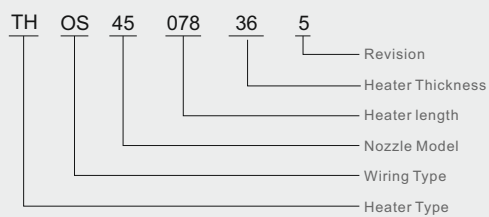
■ How to read Nozzle Model



■ How to read Thermocouple Code



■ How to read Heater Code

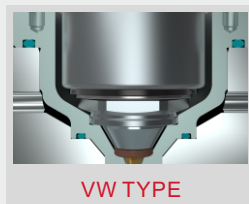
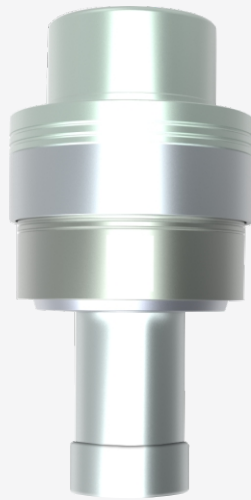


SSV Single Valve Introduction

Division	SSV18	SSV25	SSV35	SSV45
Model Number	SSV 18-□□-□□□□	SSV 25-□□-□□□□	SSV 35-□□-□□□□	SSV 45-□□-□□□□
Injection Volume	UP to 100gr	UP to 350gr	UP to 800gr	Over 2100gr
SR	Ask us	Ask us	Ask us	Ask us
∅A1	68	68	84	84
∅A2	105	105	120	120
L	125~215	130~270	140~300	150~310
L1	37~127	42~182	55~205	55~215
L2	88	88	95	95
T	11	16	21	26
∅M	8	8	14	14
∅M1	5.5	5.5	9	9
∅M2	8	10	12	22
∅P	4	4	6	10
∅G	1.5/2.0/2.5	1.5/2.0/2.5	2.5/3.0/4.0	4.0/5.0/6.0/7.0
∅D	18.15	25.15	35.15	45.15
∅D1	13	18	26	34
∅D2	27.2	34.2	44.2	54.2
Tube Heater(H1)	TH OS 18□□□6□36 5	TH OS 25□□□4□36 5	TH OS 35□□□5□36 5	TH OS 45□□□8□36 5
Thermocouple	NZ TP□□ 16 □□ 5 R	NZ TP□□ 16 □□ 5 2	NZ TP□□ 16 □□ 5 2	NZ TP□□ 16 □□ 5 2

SSV Single Valve Introduction

GATING TYPE



VW TYPE



VG TYPE



VE TYPE



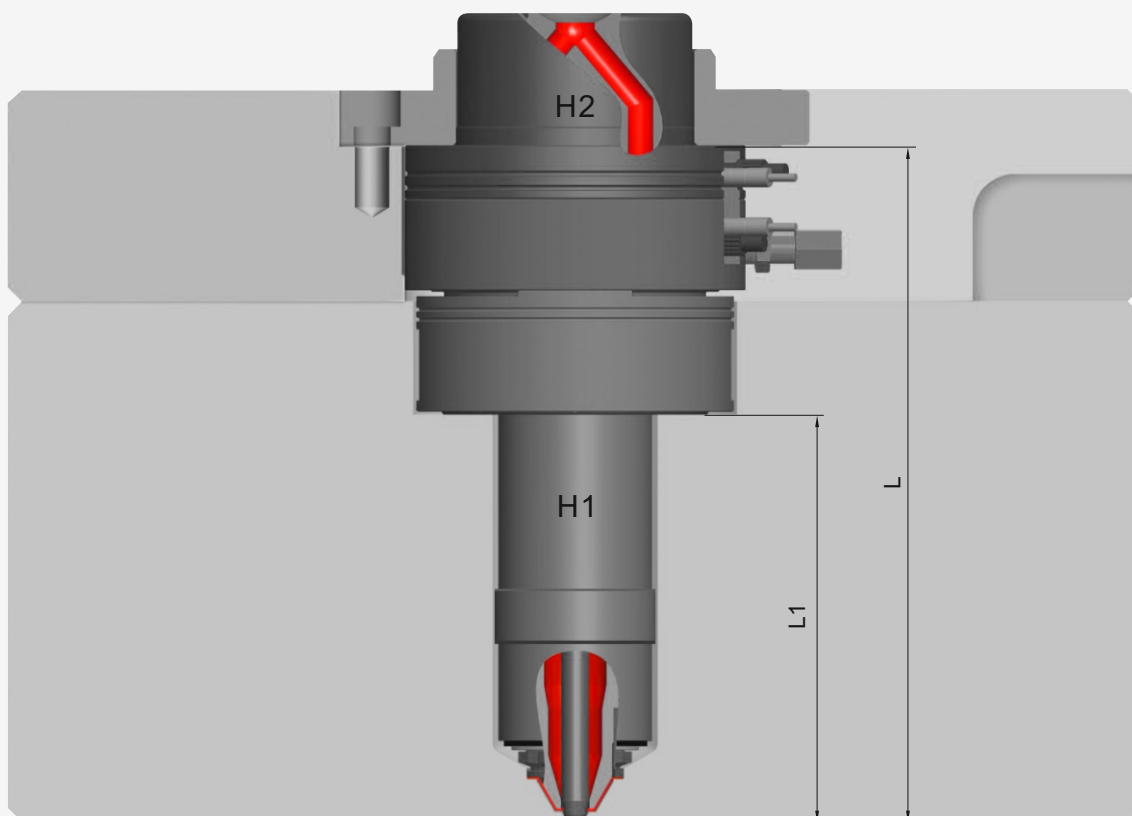
VV TYPE



VL TYPE

SSV Single Valve Introduction

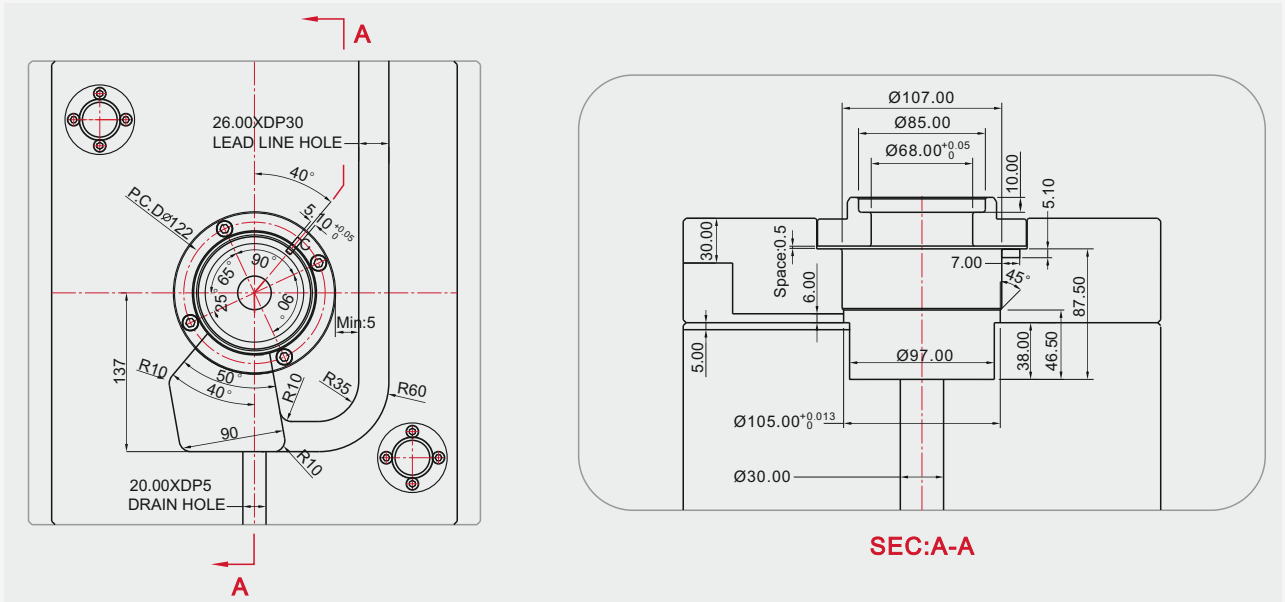
SSV 18 VALVE



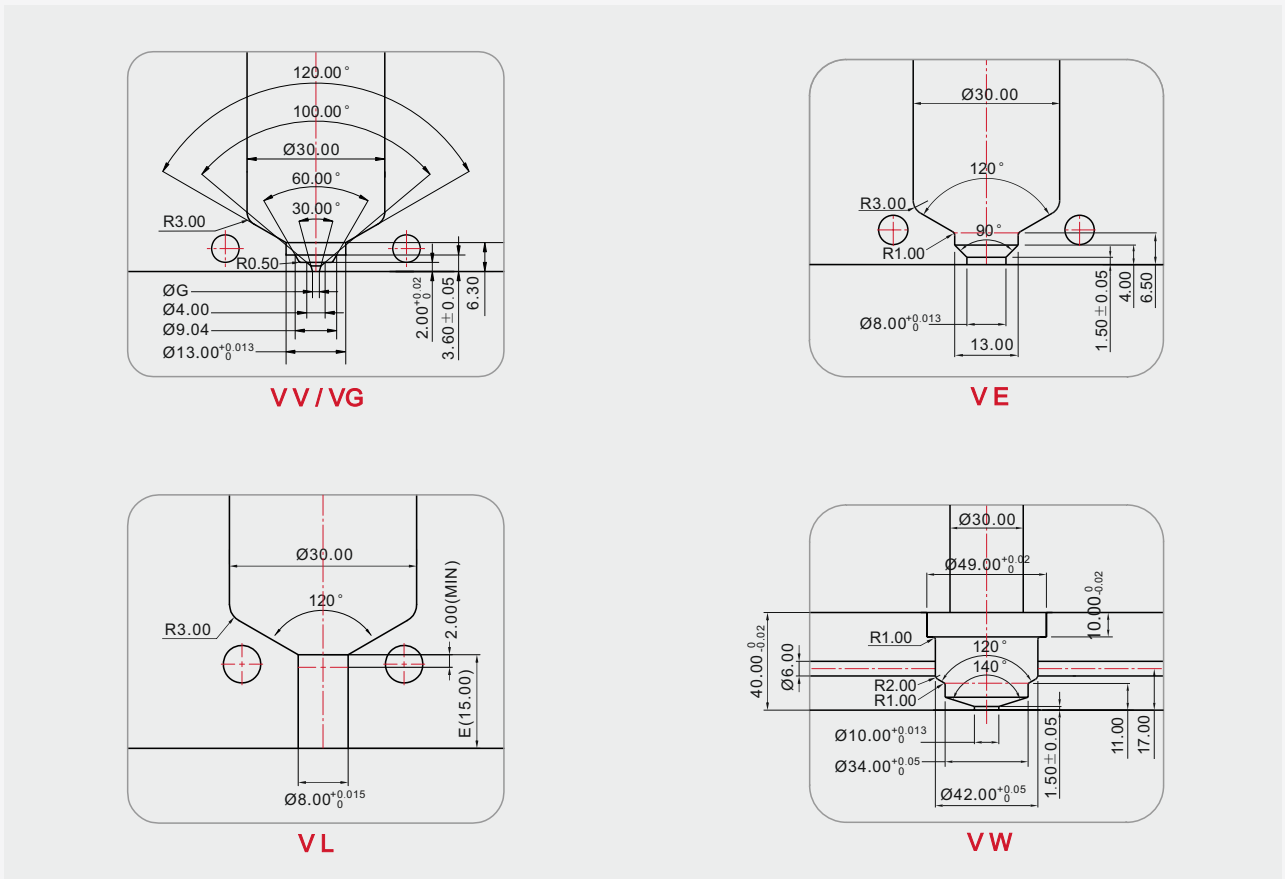
MODEL	L	L1	HEATER (H1)	T/C (H1)	HEATER (H2)	T/C (H2)
SSV18□□ 125	125	37	THOS 18 066 36 5	NZ TP IC [CA] 16 085 R		
SSV18□□ 135	135	47	THOS 18 076 36 5			
SSV18□□ 145	145	57	THOS 18 086 36 5	NZ TP IC [CA] 16 105 R		
SSV18□□ 155	155	67	THOS 18 096 36 5			
SSV18□□ 165	165	77	THOS 18 106 36 5	NZ TP IC [CA] 16 125 R	THOS 45 035 36 5	NZ TP IC [CA] 16 085 R
SSV18□□ 175	175	87	THOS 18 116 36 5			
SSV18□□ 185	185	97	THOS 18 126 36 5	NZ TP IC [CA] 16 145 R		
SSV18□□ 195	195	107	THOS 18 136 36 5			
SSV18□□ 205	205	117	THOS 18 146 36 5	NZ TP IC [CA] 16 165 R		
SSV18□□ 215	215	127	THOS 18 156 36 5			

SSV Single Valve Introduction

FLANGE PROCESS AREA

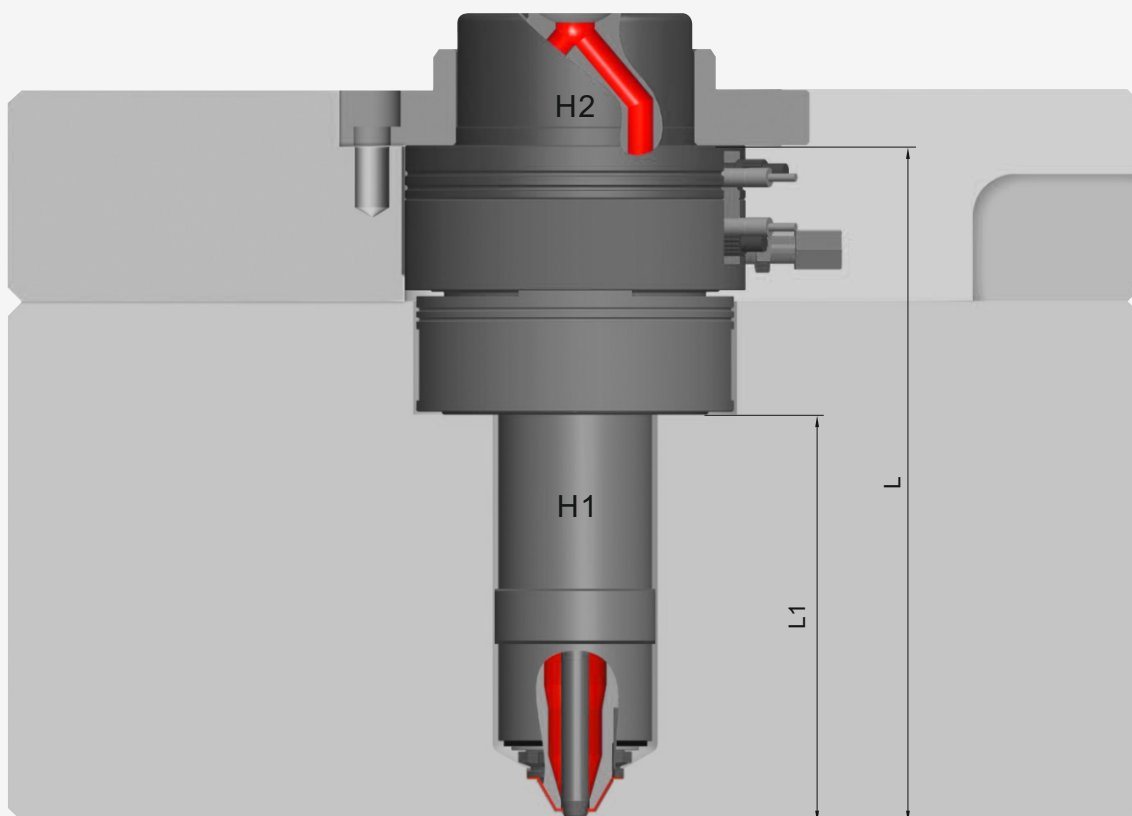


GATE PROCESS AREA



SSV Single Valve Introduction

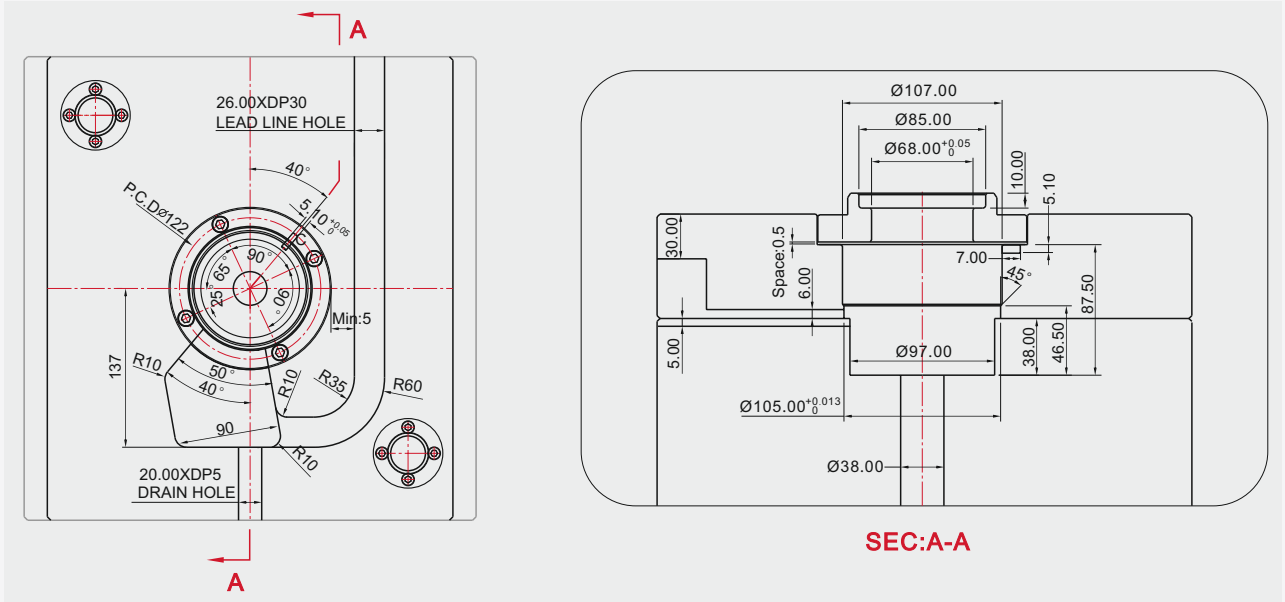
SSV 25 VALVE



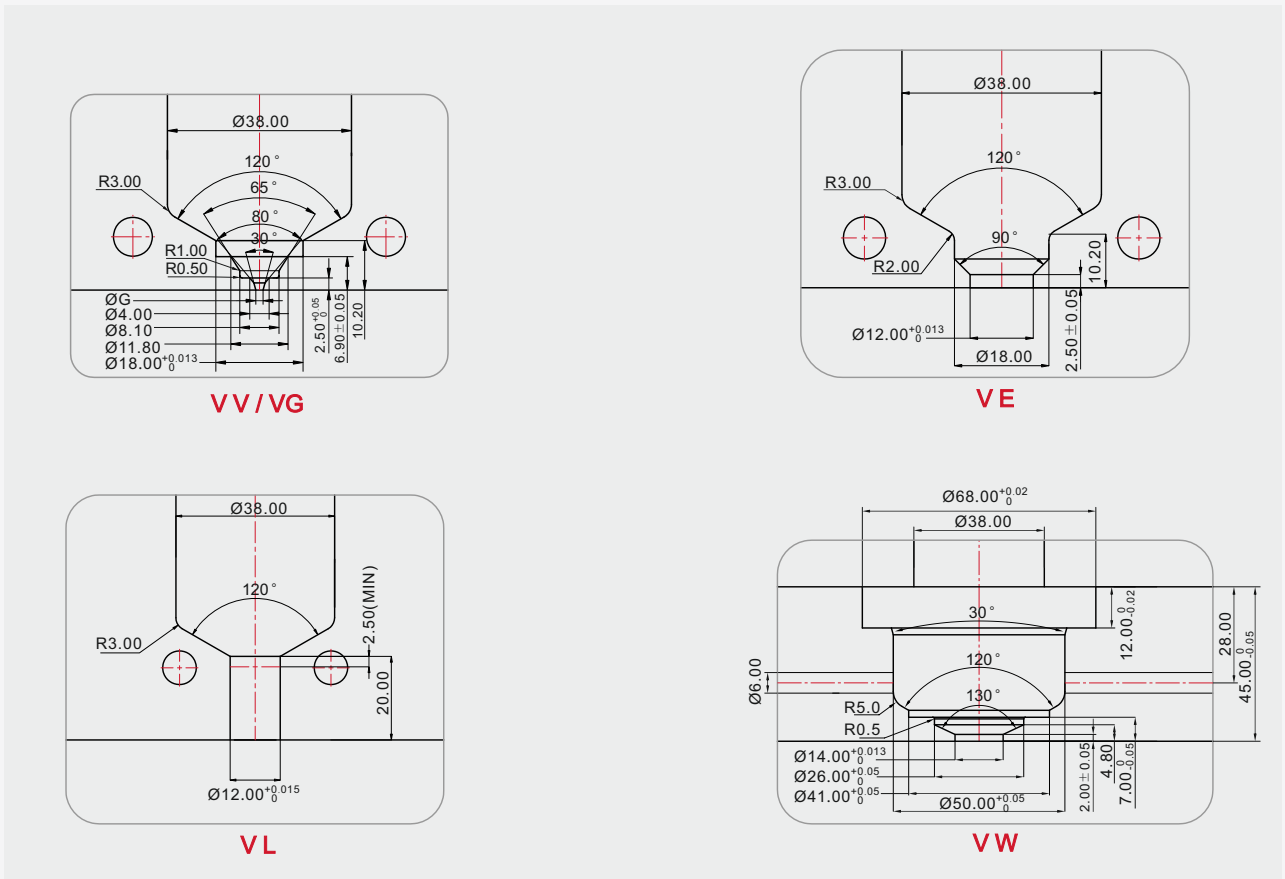
MODEL	L	L1	HEATER (H1)	T/C (H1)	HEATER (H2)	T/C (H2)
SSV25 □□ 130	130	42	THOS 25 074 36 5	NZ TP IC [CA] 16 105 2		
SSV25 □□ 140	140	52	THOS 25 084 36 5			
SSV25 □□ 150	150	62	THOS 25 094 36 5	NZ TP IC [CA] 16 125 2		
SSV25 □□ 160	160	72	THOS 25 104 36 5			
SSV25 □□ 170	170	82	THOS 25 114 36 5	NZ TP IC [CA] 16 145 2		
SSV25 □□ 180	180	92	THOS 25 124 36 5		THOS 45 035 36 5	NZ TP IC [CA] 16 085 2
SSV25 □□ 190	190	102	THOS 25 134 36 5	NZ TP IC [CA] 16 165 2		
SSV25 □□ 200	200	112	THOS 25 144 36 5			
SSV25 □□ 210	210	122	THOS 25 154 36 5	NZ TP IC [CA] 16 185 2		
∫	∫	∫	∫	∫		
SSV25 □□ 270	270	182	THOS 25 214 36 5	NZ TP IC [CA] 16 245 2		

SSV Single Valve Introduction

FLANGE PROCESS AREA

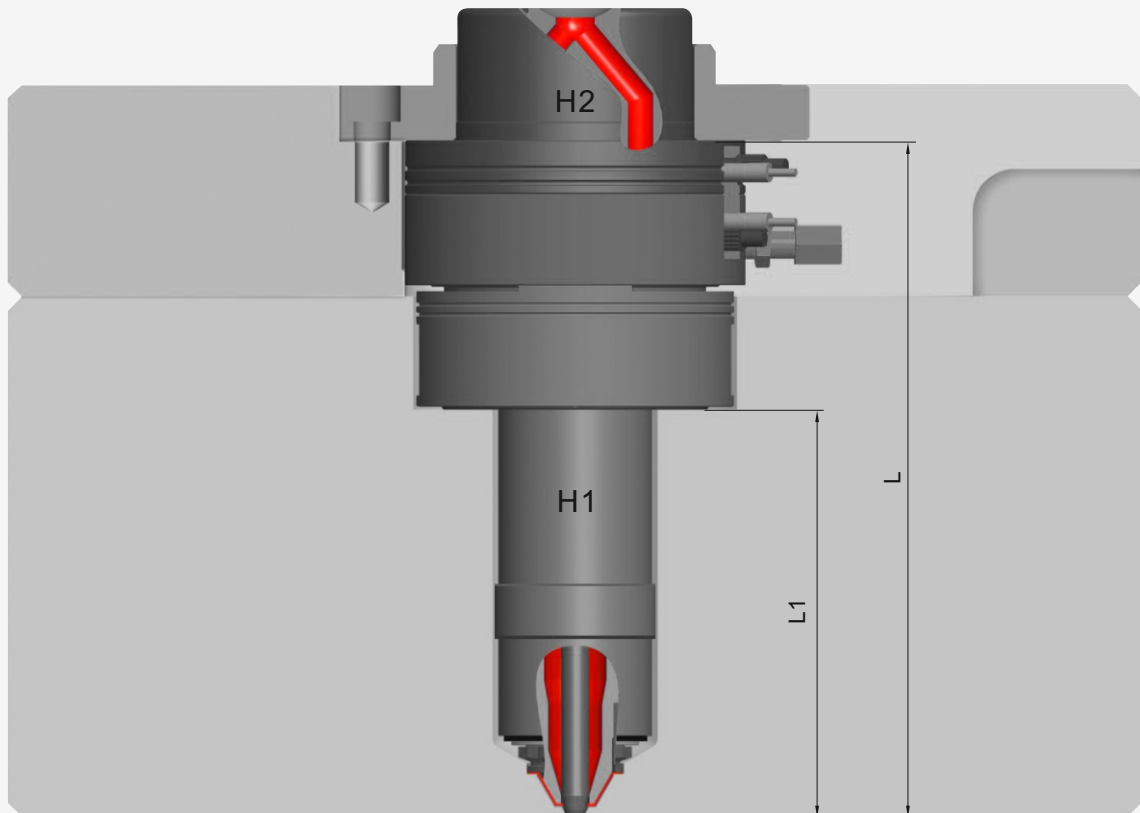


GATE PROCESS AREA



SSV Single Valve Introduction

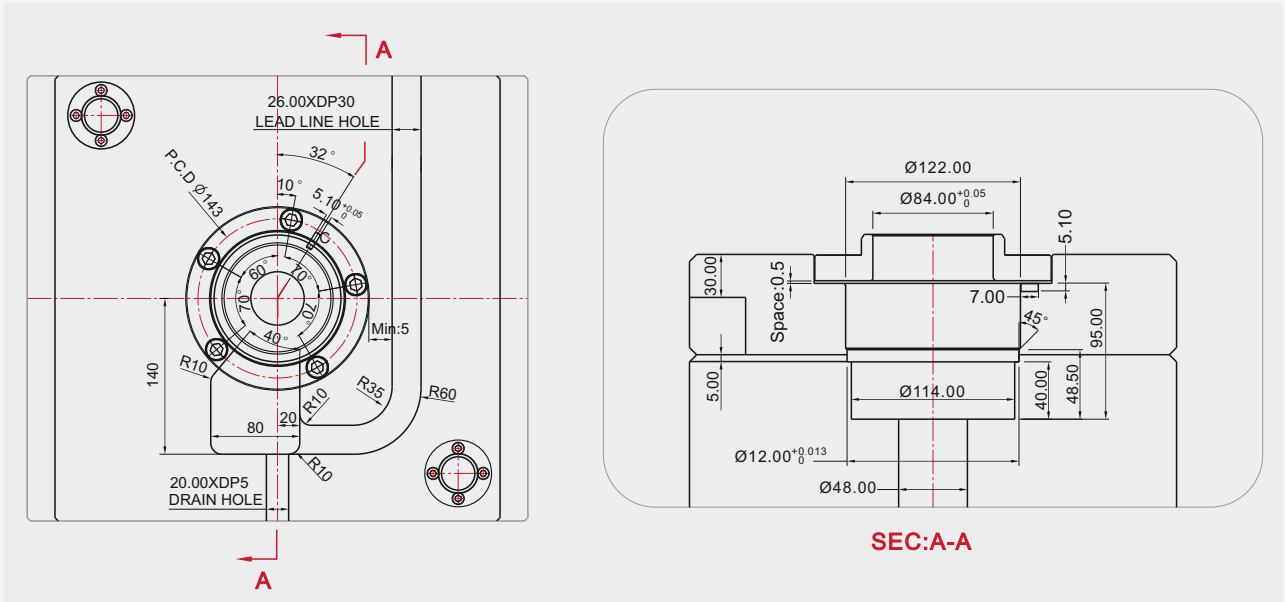
SSV 35 VALVE



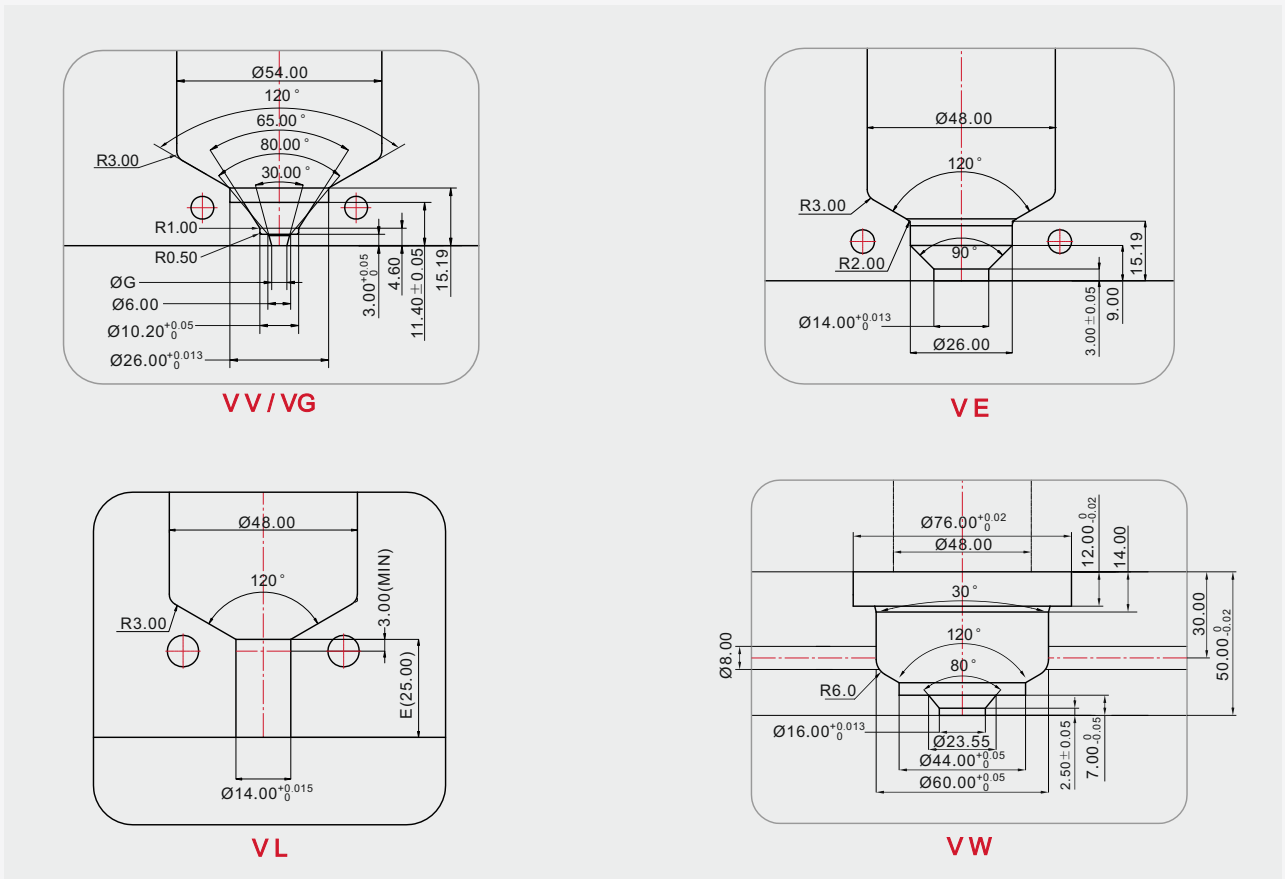
MODEL	L	L1	HEATER (H1)	T/C (H1)	HEATER (H2)	T/C (H2)
SSV35□□ 140	140	45	THOS 35 065 36 5	NZ TP IC [CA] 16 085 2		
SSV35□□ 150	150	55	THOS 35 075 36 5			
SSV35□□ 160	160	65	THOS 35 085 36 5	NZ TP IC [CA] 16 105 2		
SSV35□□ 170	170	75	THOS 35 095 36 5			
SSV35□□ 180	180	85	THOS 35 105 36 5	NZ TP IC [CA] 16 125 2		
SSV35□□ 190	190	95	THOS 35 115 36 5		THOS 65 045 36 5	NZ TP IC [CA] 16 085 2
SSV35□□ 200	200	105	THOS 35 125 36 5	NZ TP IC [CA] 16 145 2		
SSV35□□ 210	210	115	THOS 35 135 36 5			
SSV35□□ 220	220	125	THOS 35 145 36 5	NZ TP IC [CA] 16 165 2		
∫	∫	∫	∫	∫		
SSV35□□ 300	300	205	THOS 35 225 36 5	NZ TP IC [CA] 16 245 2		

SSV Single Valve Introduction

FLANGE PROCESS AREA

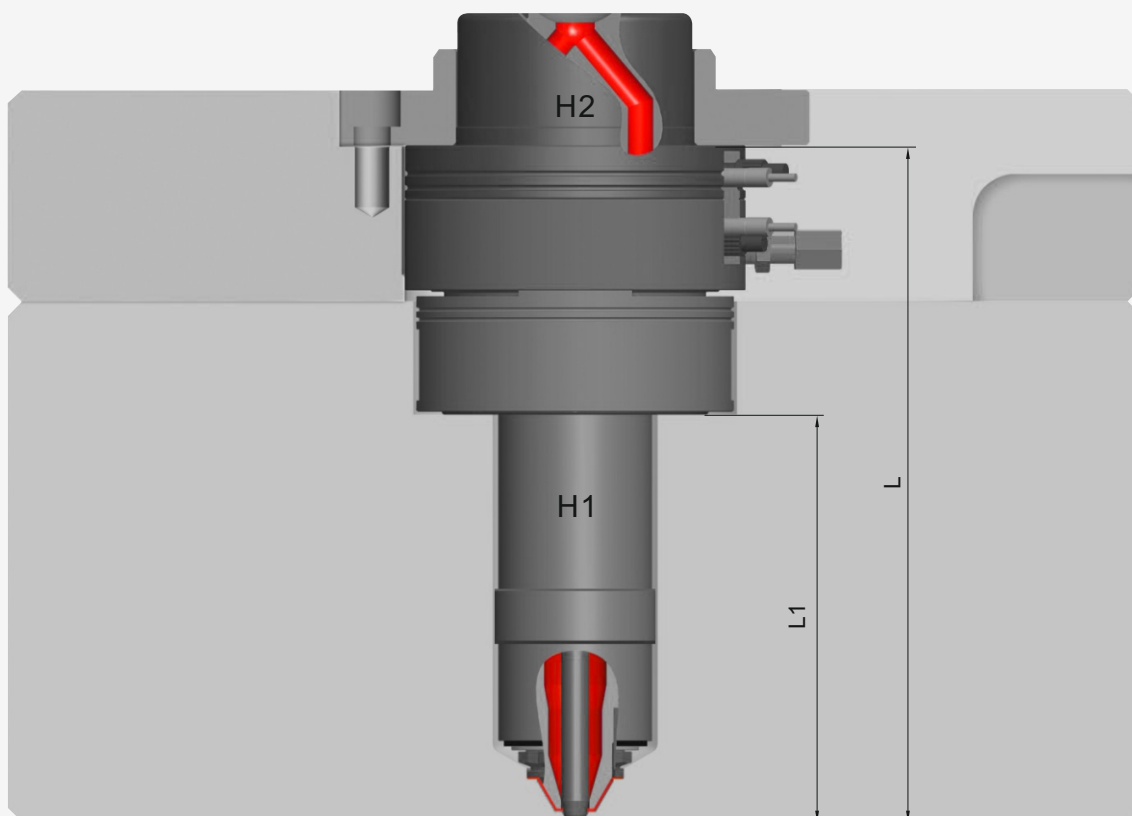


GATE PROCESS AREA



SSV Single Valve Introduction

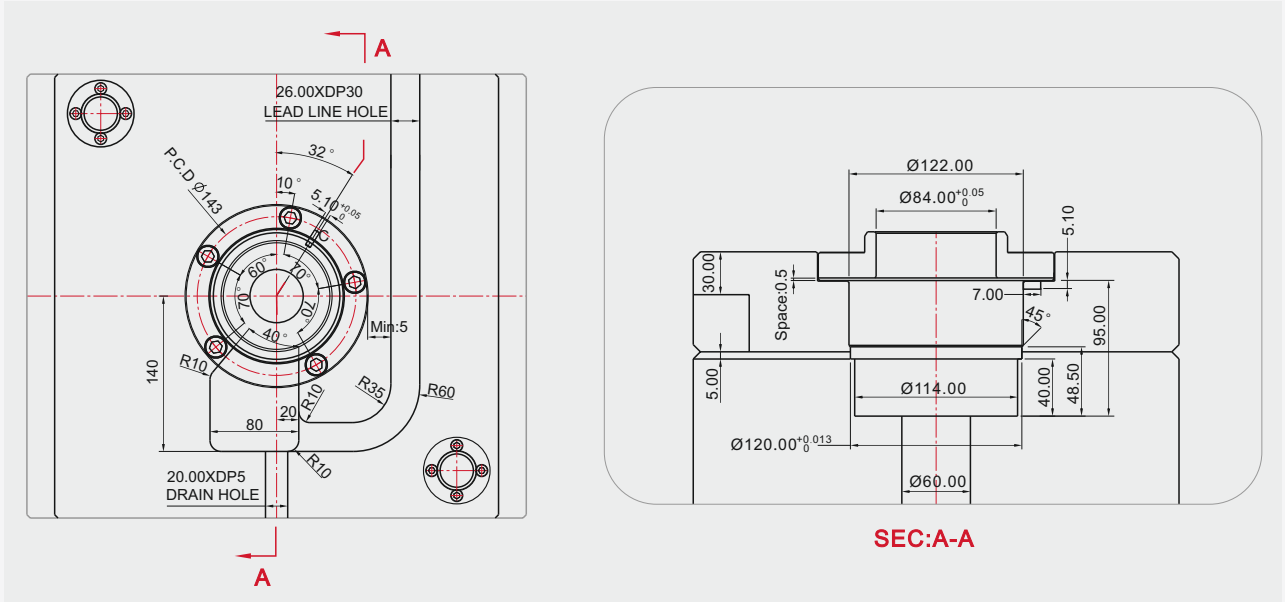
SSV 45 VALVE



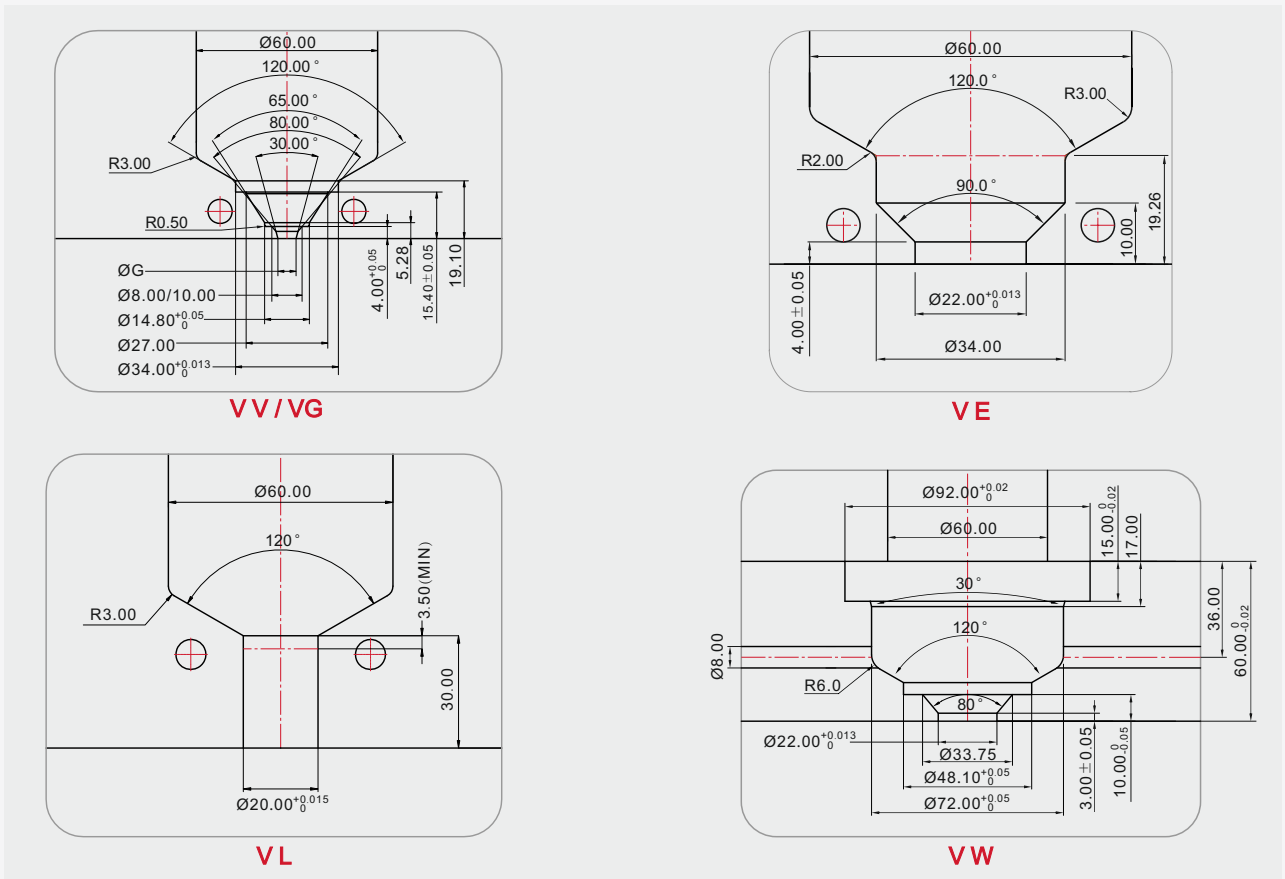
MODEL	L	L1	HEATER (H1)	T/C (H1)	HEATER (H2)	T/C (H2)
SSV45□□ 150	150	55	THOS 45 078 36 5	NZ TP IC [CA] 16 105 2		
SSV45□□ 160	160	65	THOS 45 088 36 5			
SSV45□□ 170	170	75	THOS 45 098 36 5	NZ TP IC [CA] 16 125 2		
SSV45□□ 180	180	85	THOS 45 108 36 5			
SSV45□□ 190	190	95	THOS 45 118 36 5	NZ TP IC [CA] 16 145 2		
SSV45□□ 200	200	105	THOS 45 128 36 5		THOS 65 045 36 5	NZ TP IC [CA] 16 085 2
SSV45□□ 210	210	115	THOS 45 138 36 5	NZ TP IC [CA] 16 165 2		
SSV45□□ 220	220	125	THOS 45 148 36 5			
SSV45□□ 230	230	135	THOS 45 158 36 5	NZ TP IC [CA] 16 185 2		
∫	∫	∫	∫	∫		
SSV45□□ 310	310	215	THOS 45 238 36 5	NZ TP IC [CA] 16 265 2		

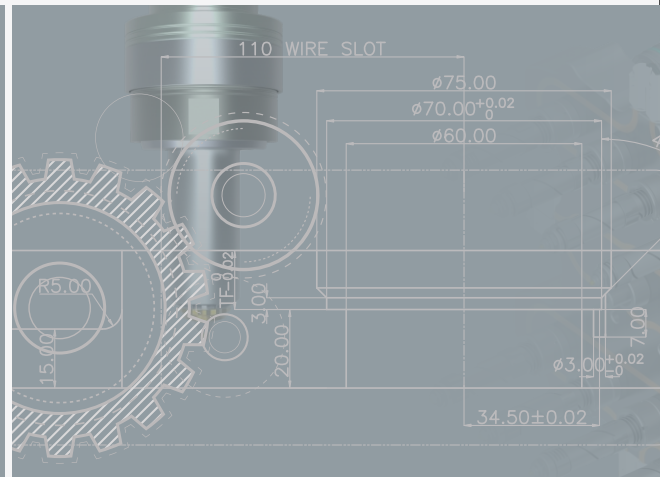
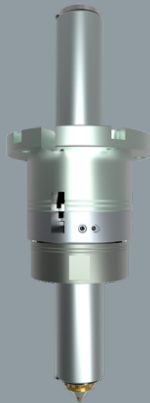
SSV Single Valve Introduction

FLANGE PROCESS AREA



GATE PROCESS AREA

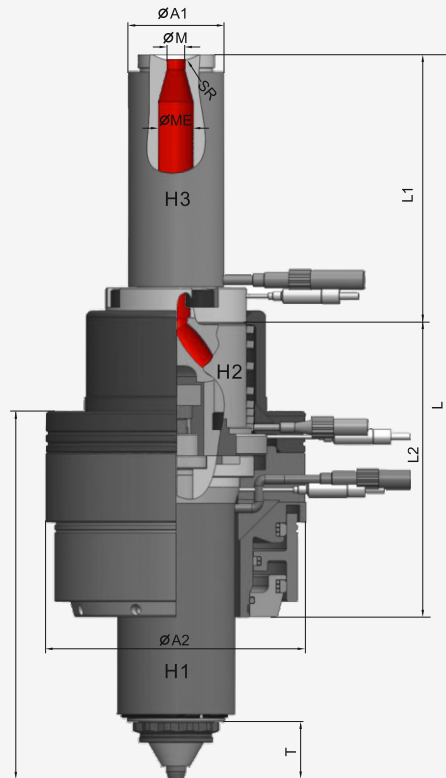




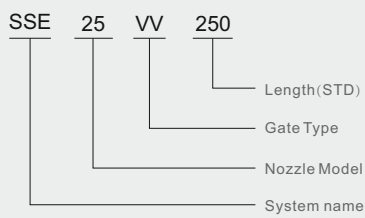
SSE SERIES

SINGLE VALVE NOZZLES

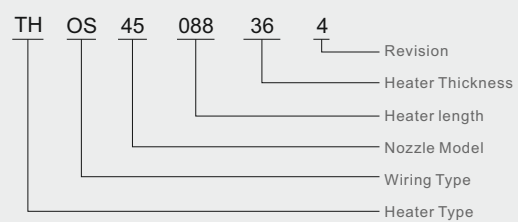
SSE Single Valve Introduction



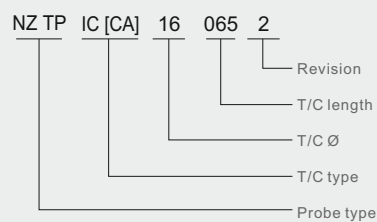
■ How to read Nozzle Model



■ How to read Heater Code



■ How to read Thermocouple Code

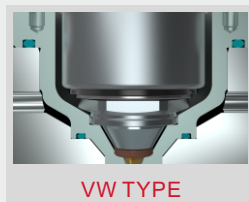
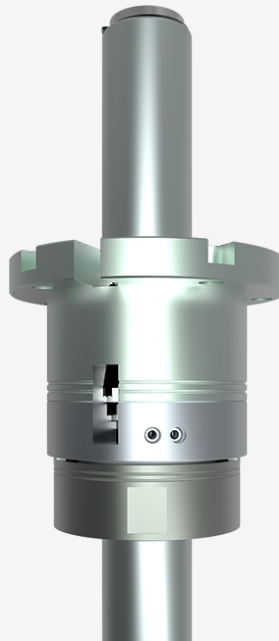


SSE Single Valve Introduction

Division	SSE18	SSE25	SSE35	SSE45
Model Number	SSE 18-□□-□□□□	SSE 25-□□-□□□□	SSE 35-□□-□□□□	SSE 45-□□-□□□□
Injection Volume	UP to 100gr	UP to 240gr	UP to 800gr	Over 1200gr
SR	Ask us	Ask us	Ask us	Ask us
∅A1	34.2	34.2	44.2	44.2
∅A2	105	105	120	120
L	Can be adjusted by request			
L1				
L2	116	116	135	135
T	11	16	21	26
∅M	6	6	8	8
∅M1	5.5	5.5	9	9
∅ME	10	10	16	16
Tube Heater(H1)	TH OS 18□□6□36 4	TH OS 25□□4□36 4	TH OS 35□□5□36 4	TH OS 45□□8□36 4
Thermocouple	NZ TP□□16□□52	NZ TP□□16□□52	NZ TP□□16□□52	NZ TP□□16□□52
Tube Heater(H2)	THOS 45 035 36 4	THOS 45 035 36 4	THOS 65 045 36 4	THOS 65 045 36 4
Thermocouple	NZ TP IC [CA] 16 085 2	NZ TP IC [CA] 16 085 2	NZ TP IC [CA] 16 085 2	NZ TP IC [CA] 16 085 2
Tube Heater(H3)	TH OS 25□□4□36 4		TH OS 35□□5□36 4	
Thermocouple	NZ TP□□16□□52		NZ TP□□16□□52	

SSE Single Valve Introduction

GATING TYPE



VW TYPE



VG TYPE



VE TYPE



VV TYPE



VL TYPE